



PARTS CATALOGUE

NOVEMBER 2017



GPD150 (BC12) MALAYSIA *N MAX*

GPD150
PARTS CATALOGUE
©2017 by Yamaha Motor Co., Ltd.
1st edition, September 2017
All rights reserved.
Any reprinting or unauthorized use
without the written permission of
Yamaha Motor Co., Ltd.
is expressly prohibited.
Printed in Japan.

FOREWORD

This Parts Catalogue is related to the parts for the model(s) on the cover page. When you are ordering replacement parts, please refer to this Parts Catalogue and quote both part numbers and part names correctly.

1. Modifications or additions which have been made after the issue of the Parts Catalogue will be announced in the Parts News.
It is advisable that you make the necessary corrections to the Parts Catalogue according to the Parts News.

2. Abbreviations

The following abbreviations are used in this Parts Catalogue.

“UR” Use specified parts number.

“UN” Use as many as needed.

“AP” Alternate Parts

“LM” Locally Made (Parts need to be ordered locally)

“F#” Frame No. (Applicable machine No.)

“O/S” Over Size

3. The number of components for assembly

- Parts, which are to be supplied in an assembly, are listed with a dot (.) in front of the part name as shown below.
- The numeral appearing to the right of each component part indicates the quantity of parts for each assembly unit.

PART NO.	DESCRIPTION	Q'TY	REMARKS
2F5-83310-60	FRONT FLASHER LIGHT ASSY	2	
115-83311-60	.BULB (6V-18W)	1	

4. Applicable colours of graphics are represented in the “REMARKS” as shown below.

PART NO.	DESCRIPTION	Q'TY	REMARKS
2N4-24110-00-X5	FUEL TANK COMP.	2	MXR
3J1-24240-10	.GRAPHIC, FUEL TANK	1	FOR MXR

5. Note that the illustrations for reference in finding parts numbers are not to be used for assembling. When assembling, please use the applicable service manual.

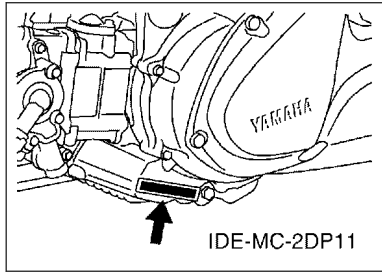
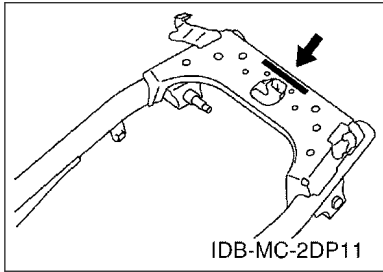
6. The asterisk (*) before a reference number indicates modified items after the first edition.

FOREWORD

7. Applicable Serial No.

Frame Serial No.

Engine Serial No.



8. Applicable Colour Code (The (*) mark shows Model colour.)

Abbreviation	Colour Name	Colour Code
LN YM9	LIGHT GRAYISH YELLOW ME 9	1367
MBL2(*)	MAT BLACK 2	0582
MNM3	MAT GRAY METALLIC 3	1278
SMX	BLACK METALLIC X	0903
VPBC5(*)	VIVID PURPLISH BLUE COCKTAIL 5	1177
YB	YAMAHA BLACK	0033

9. Applicable Starting Serial No.

Frame Serial No.

Serial No.	Name Of Q'ty Column	Model Code

Engine Serial No.

Serial No.	Name Of Q'ty Column	Model Code

CONTENTS

ENGINE

CYLINDER.....	1
CRANKSHAFT & PISTON.....	3
VALVE.....	4
CAMSHAFT & CHAIN.....	5
WATER PUMP.....	6
RADIATOR & HOSE.....	7
OIL PUMP.....	8
INTAKE.....	9
EXHAUST.....	11
CRANKCASE.....	12
CRANKCASE COVER 1.....	14
STARTER.....	15
CLUTCH.....	16
TRANSMISSION.....	18

CHASSIS

FRAME.....	19
FENDER.....	20
SIDE COVER.....	21
REAR ARM & SUSPENSION.....	23
STEERING.....	24
FUEL TANK.....	26
SEAT.....	27
FRONT WHEEL.....	28
FRONT BRAKE CALIPER.....	29
REAR WHEEL.....	30
REAR BRAKE CALIPER.....	31
STEERING HANDLE & CABLE.....	32
FRONT MASTER CYLINDER.....	34
STAND & FOOTREST.....	36
LEG SHIELD.....	39
WINDSHIELD.....	41
GENERATOR.....	42
STARTING MOTOR.....	43
FLASHER LIGHT 1.....	44
METER.....	45
HEADLIGHT.....	46
TAILLIGHT.....	47
HANDLE SWITCH & LEVER.....	48

ELECTRICAL 1.....	49
ELECTRICAL 2.....	50
ELECTRICAL 3.....	51

INDEX

NUMERICAL INDEX.....	52
----------------------	----

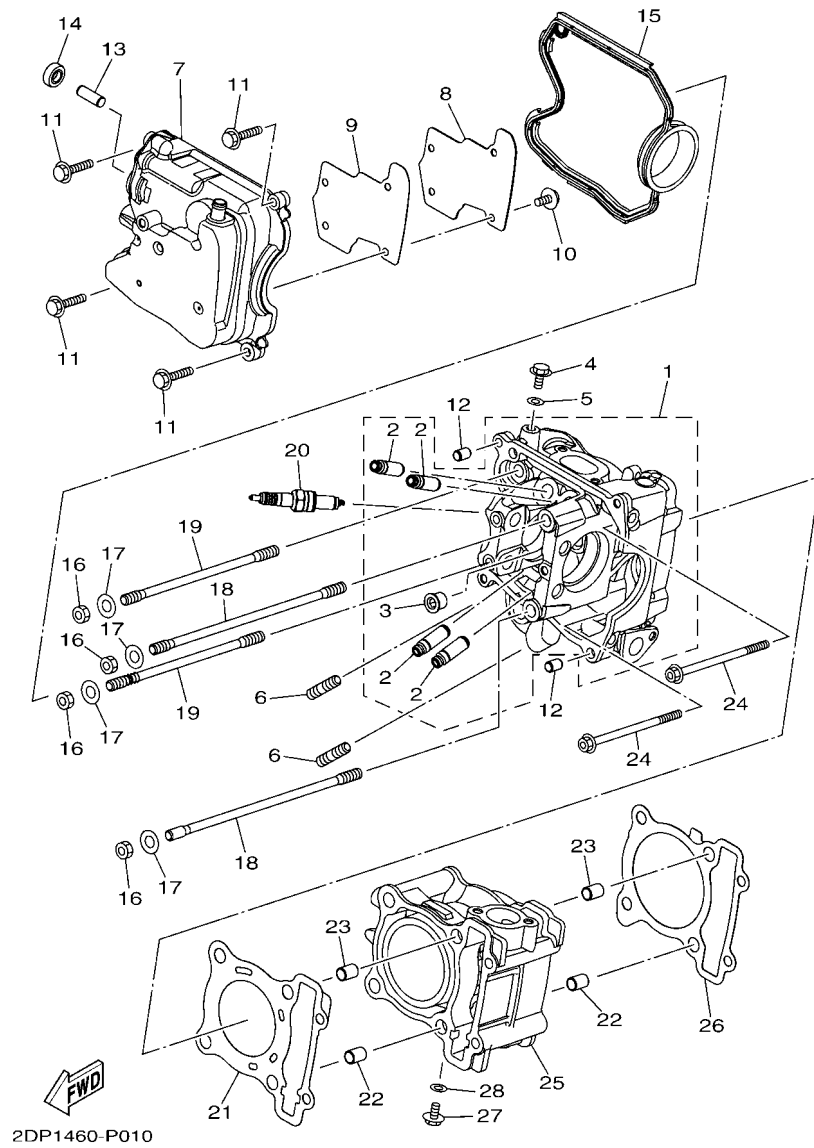


FIG. 1 CYLINDER

REF. NO.	PART NO.	DESCRIPTION	BC12				REMARKS
1	2DP-E1102-00	CYLINDER HEAD ASSY	1				
2	2DP-E1133-10	.GUIDE, VALVE 1	4				
3	90340-12813	.PLUG, STRAIGHT SCREW	1				
4	95022-06010	BOLT, FLANGE	1				
5	90430-06014	GASKET	1				
6	95612-08618	BOLT, STUD	2				
7	2DP-E1191-00	COVER, CYLINDER HEAD 1	1				
8	2DP-E1165-00	PLATE, BREATHER	1				
9	2DP-E1169-00	GASKET, BREATHER COVER	1				
10	90149-05801	SCREW	4				
11	95022-06030	BOLT, FLANGE	4				
12	99530-08012	PIN, DOWEL	2				
13	2DP-E132G-00	ROD 1	1				
14	93102-08800	OIL SEAL	1				
15	2DP-E1193-00	GASKET, HEAD COVER 1	1				
16	95302-08600	NUT, HEXAGON	4				
17	90201-08859	WASHER, PLATE	4				
18	2DP-E1391-00	BOLT, STUD 1	2				
19	2DP-E1392-00	BOLT, STUD 2	2				
20	94700-00415	PLUG, SPARK (NGK CPR8EA)	1				
21	2DP-E1181-00	GASKET, CYLINDER HEAD 1	1				
22	91810-14809	PIN, DOWEL	2				
23	91810-14809	PIN, DOWEL	2				
24	90110-06378	BOLT, HEXAGON SOCKET HEAD	2				
25	2DP-E1311-10	CYLINDER 1	1				
26	2DP-E1351-00	GASKET, CYLINDER	1				
27	95022-06010	BOLT, FLANGE	1				

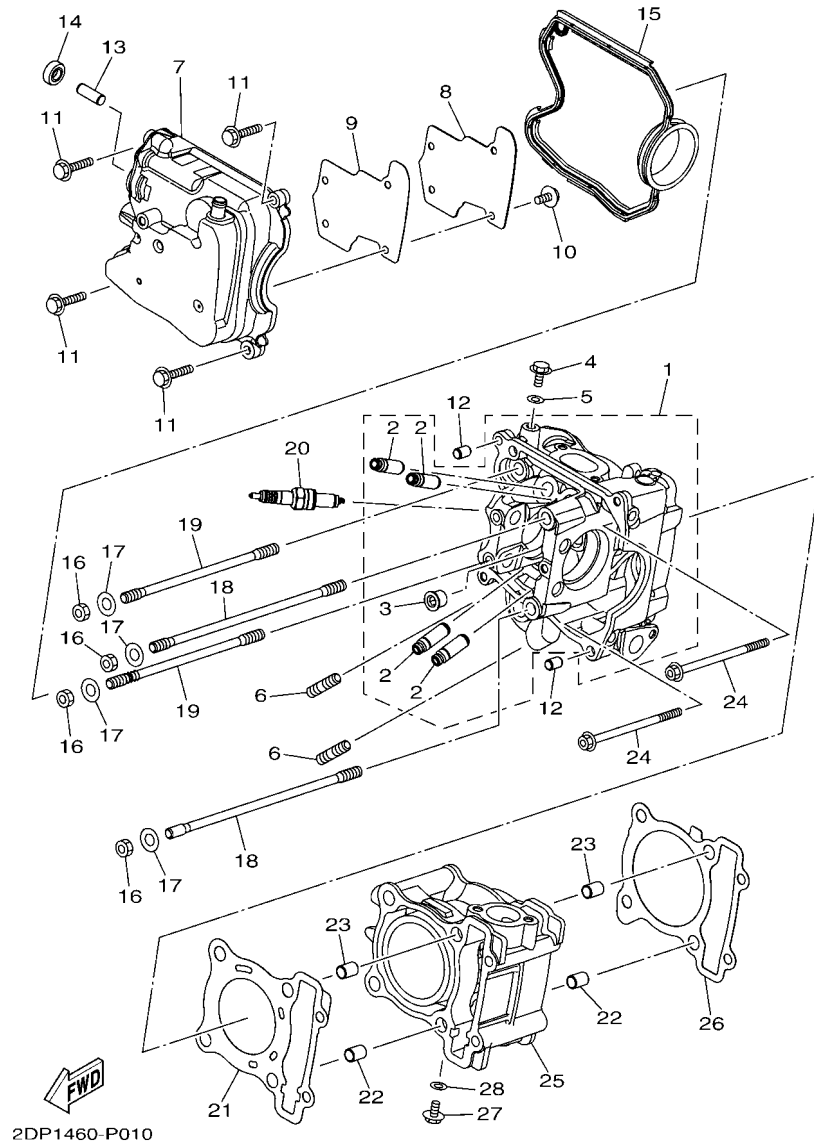
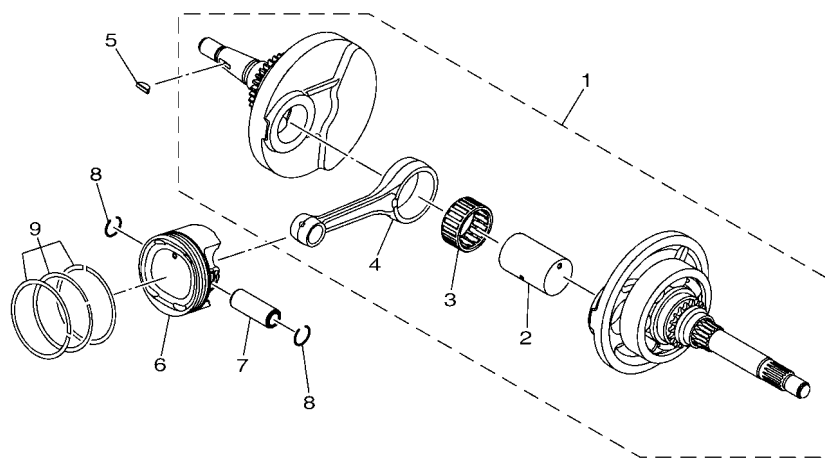


FIG. 1 CYLINDER

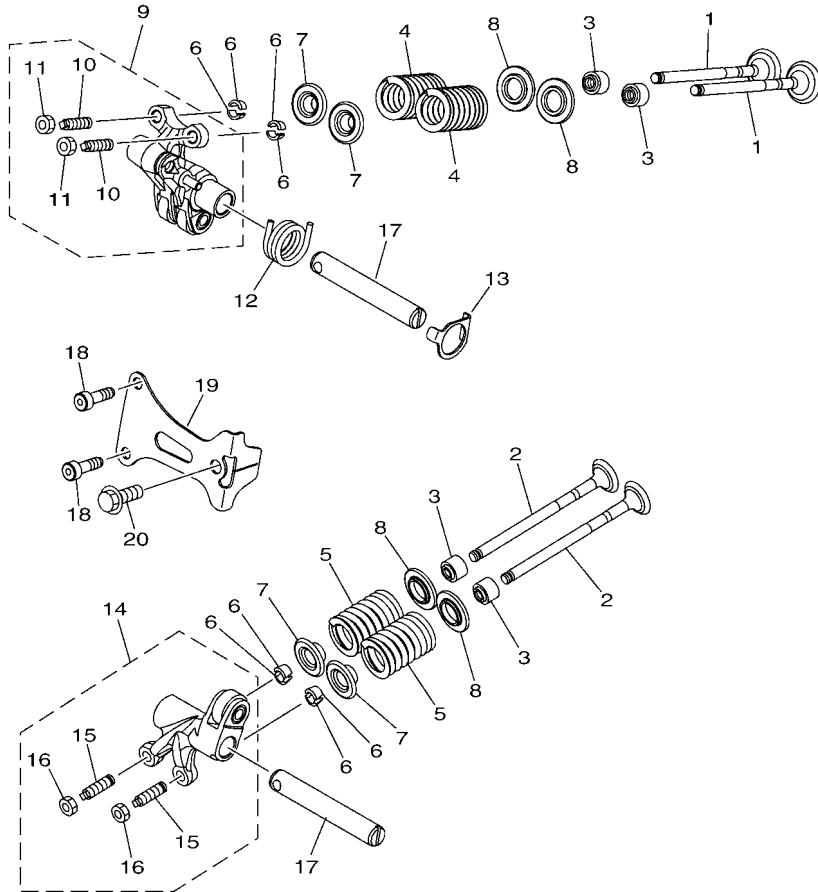
REF. NO.	PART NO.	DESCRIPTION	BC12				REMARKS
28	90430-06014	GASKET	1				

FIG. 2 CRANKSHAFT & PISTON




2DP1460-P020

REF. NO.	PART NO.	DESCRIPTION	BC12				REMARKS
1	2DP-E1400-02	CRANKSHAFT ASSY	1				
2	2DP-E1681-00	.PIN, CRANK 1	1				
3	93310-528YK	.BEARING	1				
4	2DP-E1651-00	.ROD, CONNECTING	1				
5	90280-03017	KEY, WOODRUFF	1				
6	2DP-E1631-00	PISTON (STD)	1				
7	2DP-E1633-00	PIN, PISTON	1				
8	93450-16115	CIRCLIP	2				
9	B63-E1603-00	PISTON RING SET (STD)	1				

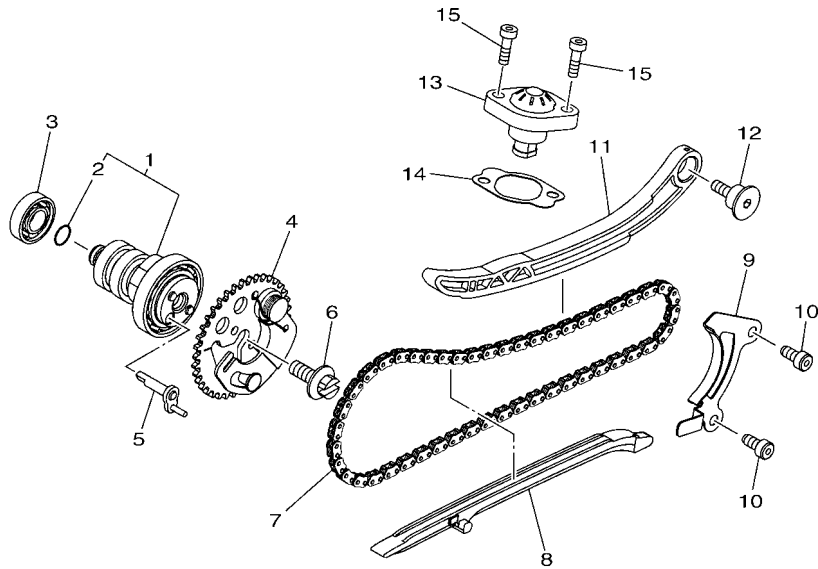


2DP1460-P031

FIG. 3 VALVE

REF. NO.	PART NO.	DESCRIPTION	BC12				REMARKS
1	2DP-E2111-00	VALVE, INTAKE	2				
2	2DP-E2121-00	VALVE, EXHAUST	2				
3	54P-E2119-00	SEAL, VALVE STEM	4				
4	2DP-12113-00	SPRING, VALVE INNER	2				
5	2DP-E2114-00	SPRING, VALVE OUTER	2				
6	5TL-E2118-00	LOCK, VALVE SPRING RETAINER	8				
7	2DP-E2117-00	RETAINER, VALVE SPRING	4				
8	50C-E2126-00	SEAT, VALVE SPRING 2	4				
9	2DP-E2150-00	VALVE ROCKER ARM ASSY	1				
10	33S-E2159-01	.SCREW, VALVE ADJUSTING	2				
11	90170-05803	.NUT	2				
12	BB8-E2226-00	SPRING, COIL	1				
13	2DP-E2279-00	PLATE	1				
14	2DP-E2160-00	VALVE ROCKER ARM ASSY 2	1				
15	33S-E2159-01	.SCREW, VALVE ADJUSTING	2				
16	90170-05803	.NUT	2				
17	45P-E2156-00	SHAFT, ROCKER 2	2				
18	91312-05016	BOLT, HEXAGON SOCKET HEAD	2				
19	2DP-E111F-00	PLATE	1				
20	95022-06014	BOLT, FLANGE	1				

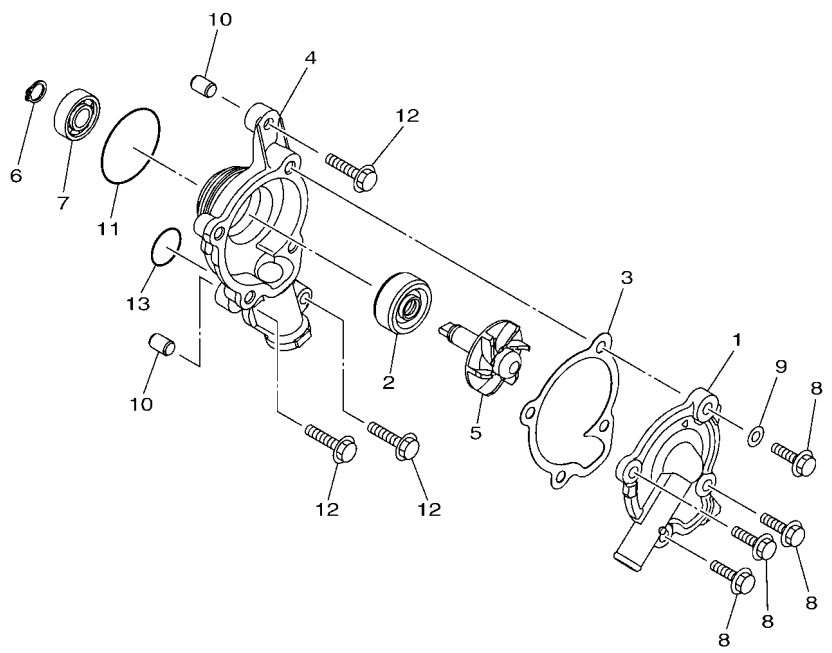
FIG. 4 CAMSHAFT & CHAIN



REF. NO.	PART NO.	DESCRIPTION	BC12				REMARKS
1	2DP-E2170-00	CAMSHAFT ASSY 1	1				
2	93210-09806	.O-RING	1				
3	93306-001X9	BEARING	1				
4	2DP-E2280-01	DECOMPRESSION ASSY	1				
5	2DP-E2288-00	CAM, DECOMPRESSION	1				
6	5YP-E2157-00	BOLT	1				
7	94568-F9096	CHAIN (DID SCR-0404 SV)	1				
8	2DP-E2231-00	GUIDE, STOPPER 1	1				
9	2DP-E2233-00	PLATE, GUIDE STOPPER 1	1				
10	90110-06182	BOLT, HEXAGON SOCKET HEAD	2				
11	2DP-E2241-00	GUIDE, STOPPER 2	1				
12	1LB-E2228-00	BOLT	1				
13	2PV-E2210-00	TENSIONER ASSY, CAM CHAIN	1				
14	2DP-E2213-00	GASKET, TENSIONER CASE	1				
15	91312-06020	BOLT, HEXAGON SOCKET HEAD	2				


2DP1460-P040

FIG. 5 WATER PUMP




2DP6460-S050

REF. NO.	PART NO.	DESCRIPTION	BC12				REMARKS
1	2DP-E2422-00	COVER, HOUSING	1				
2	B63-E2223-00	SEAL	1				
3	2DP-E2428-00	GASKET, HOUSING COVER 2	1				
4	2DP-E1185-00	COVER, CYLINDER HEAD SIDE 3	1				
5	2DP-E2450-00	IMPELLER SHAFT ASSY	1				
6	99009-10400	CIRCLIP	1				
7	93306-000Y3	BEARING	1				
8	95027-06020	BOLT, FLANGE	4				
9	90430-06014	GASKET	1				
10	99530-08012	PIN, DOWEL	2				
11	93210-39803	O-RING	1				
12	95022-06025	BOLT, FLANGE	3				
13	93210-19809	O-RING	1				

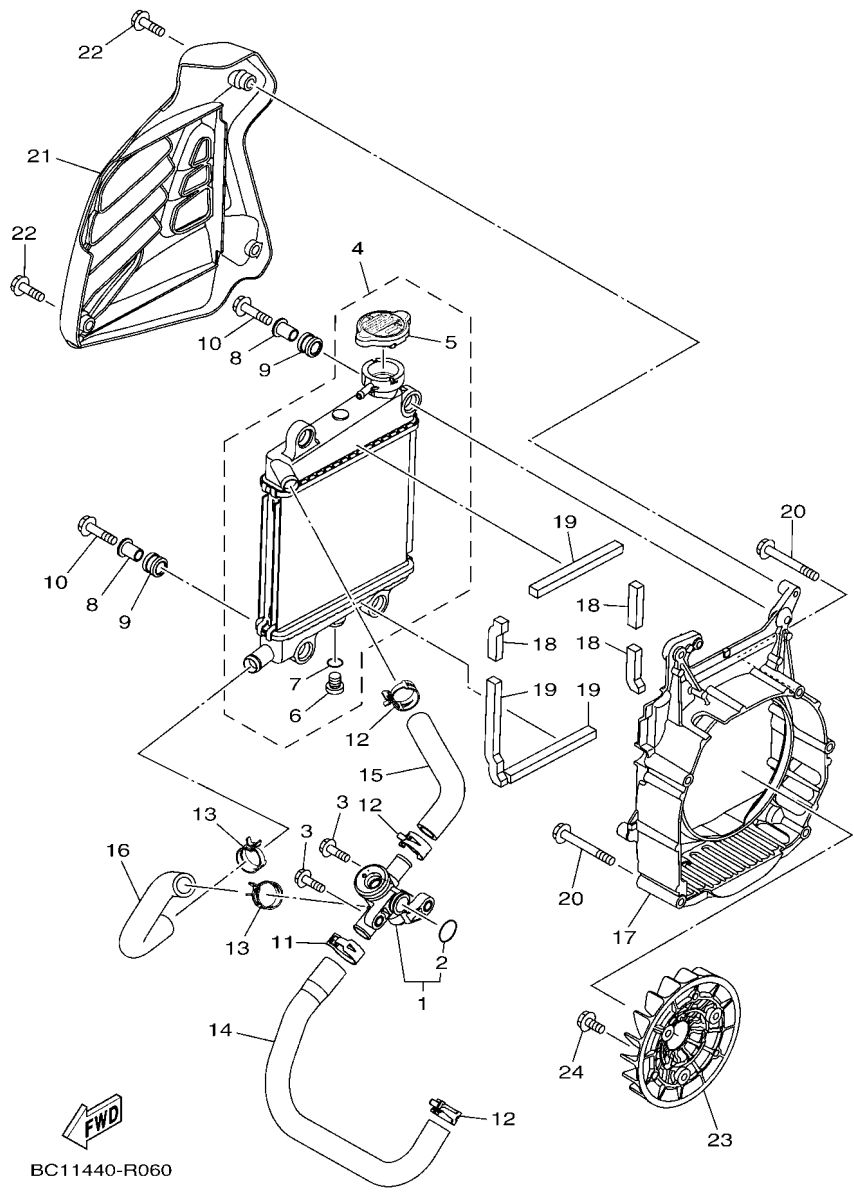
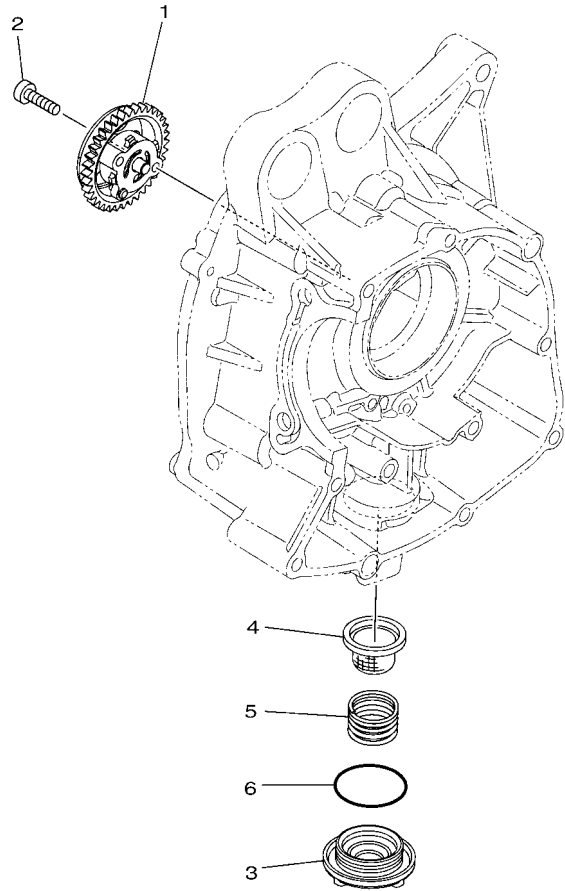


FIG. 6 RADIATOR & HOSE

REF. NO.	PART NO.	DESCRIPTION	BC12				REMARKS
1	2DP-E2410-00	THERMOSTAT ASSY	1				
2	52S-12439-00	.O-RING	1				
3	95022-06020	BOLT, FLANGE	2				
4	2DP-E240A-00	RADIATOR ASSY	1				
5	5P0-E2590-00	.CONDUCTION ASSY	1				
6	5ST-E2615-00	.COCK, DRAIN	1				
7	5ST-E2843-00	.O-RING	1				
8	90387-08823	COLLAR	4				
9	90480-15810	GROMMET	4				
10	95827-06030	BOLT, FLANGE	4				
11	90467-21801	CLIP	1				
12	90467-20805	CLIP	3				
13	90467-20805	CLIP	2				
14	2DP-E2481-00	PIPE 1	1				
15	2DP-E2482-00	PIPE 2	1				
16	2DP-E2483-00	PIPE 3	1				
17	2DP-E2621-00	CASE, FAN	1				
18	90520-10826	DAMPER, PLATE	3				
19	90520-10827	DAMPER, PLATE	3				
20	95022-06060	BOLT, FLANGE	5				
21	2DP-E2467-00	COVER, RADIATOR	1				
22	95022-06020	BOLT, FLANGE	3				
23	2DP-E2611-00	FAN	1				
24	95812-06016	BOLT, FLANGE	3				




2DP1460-P070

FIG. 7 OIL PUMP

REF. NO.	PART NO.	DESCRIPTION	BC12				REMARKS
1	2DP-E3300-00	OIL PUMP ASSY	1				
2	98502-05025	SCREW, PAN HEAD	2				
3	1S7-E5351-00	PLUG, DRAIN	1				
4	1S7-E3411-00	STRAINER, OIL	1				
5	90501-18576	SPRING, COMPRESSION	1				
6	93210-34802	O-RING	1				

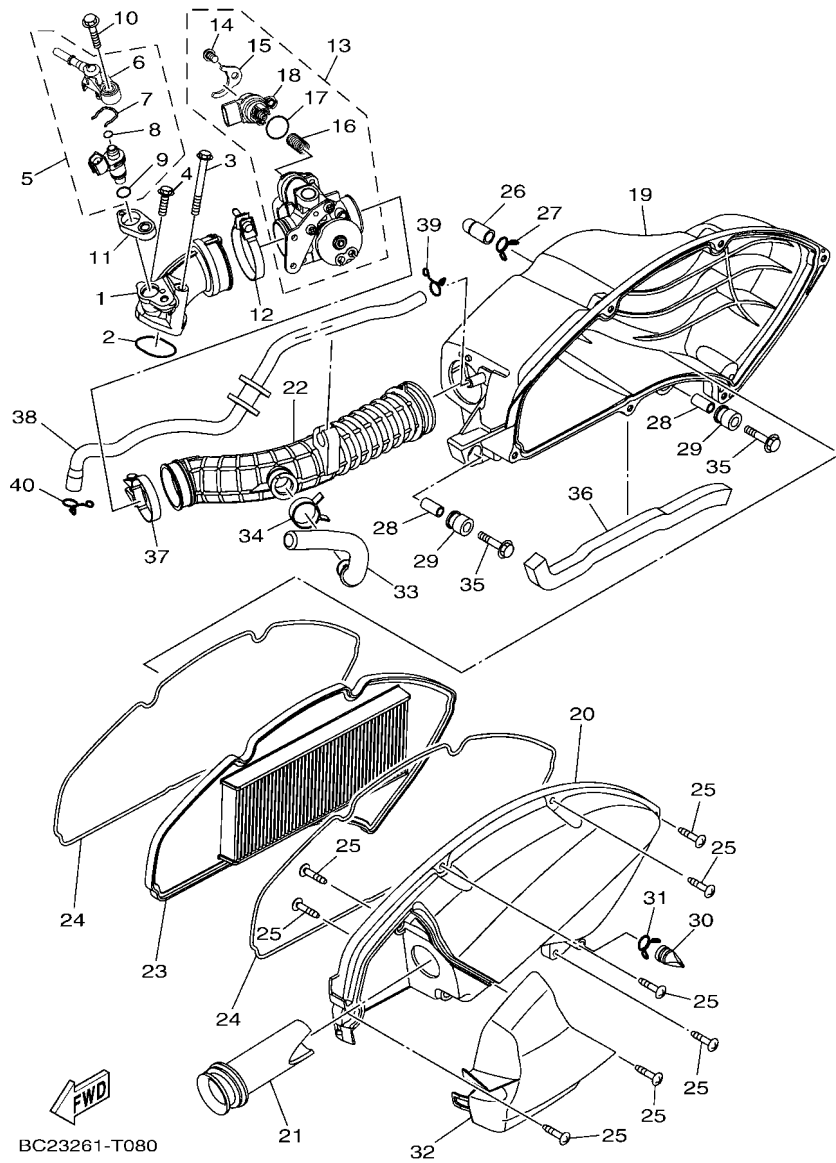


FIG. 8 INTAKE

REF. NO.	PART NO.	DESCRIPTION	BC12				REMARKS
1	2DP-E3585-00	MANIFOLD	1				
2	93210-32807	O-RING	1				
3	95022-06055	BOLT, FLANGE	1				
4	95022-06020	BOLT, FLANGE	1				
5	5D7-E3770-00	INJECTOR ASSY	1				
6	54P-E3938-00	.PIPE	1				
7	54P-E4137-00	.CLIP	1				
8	54P-E4147-00	.O-RING	1				
9	5CA-E4147-00	.O-RING	1				
10	95812-06030	BOLT, FLANGE	1				
11	2DP-E3556-00	GASKET, MANIFOLD	1				
12	90450-48806	HOSE CLAMP ASSY	1				
13	2DP-E3750-01	THROTTLE BODY ASSY	1				
14	98502-06012	.SCREW, PAN HEAD	1				
15	54P-E4243-00	.PLATE	1				
16	54P-E4335-00	.SPRING, PLUNGER	1				
17	54P-E416A-00	.O-RING	1				
18	2DP-H5801-00	.STEPPING MOTOR	1				
19	2DP-E4411-00	CASE, AIR CLEANER 1	1				
20	2DP-E4412-00	CAP, CLEANER CASE 1	1				
21	2DP-E4437-00	DUCT	1				
22	2DP-E4453-00	JOINT, AIR CLEANER 1	1				
23	2DP-E4451-00	ELEMENT, AIR CLEANER	1				
24	2DP-E4452-00	SEAL	2				
25	97707-50025	SCREW, TAPPING	8				
26	5TL-E443E-00	PIPE, DRAIN	1				
27	90467-12800	CLIP	1				

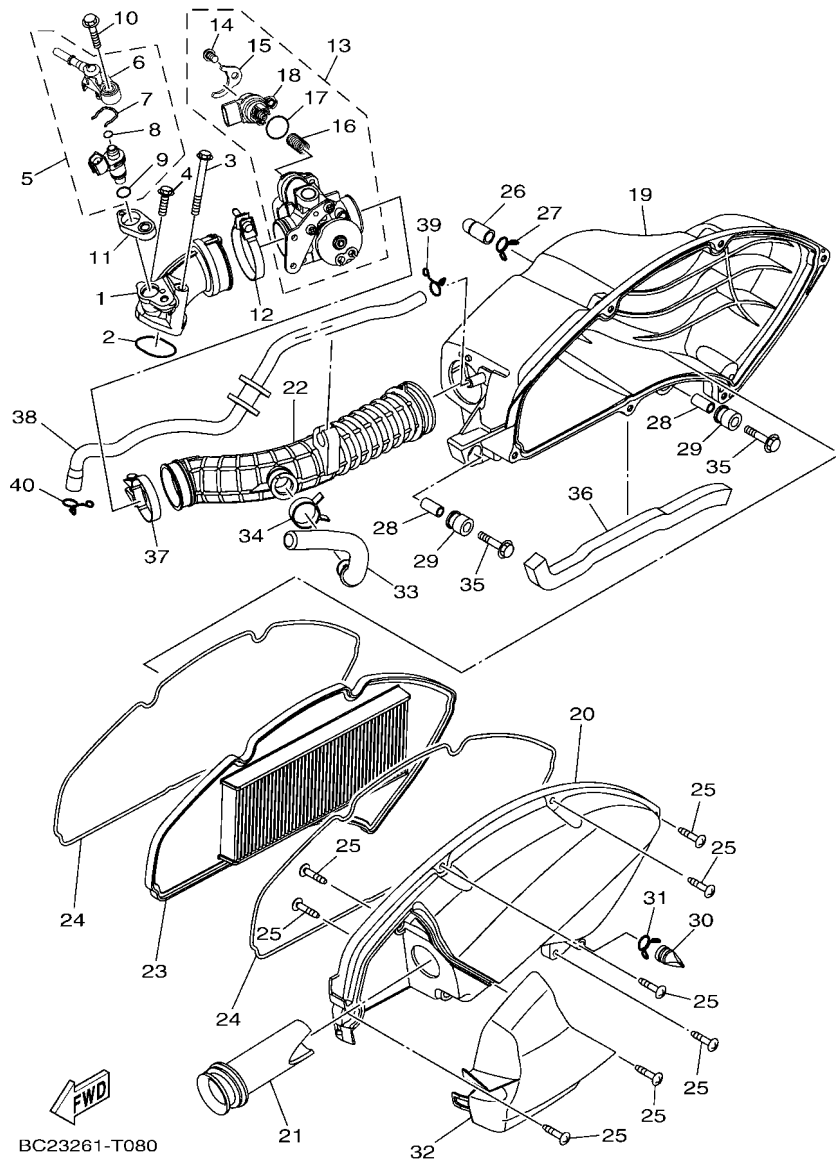
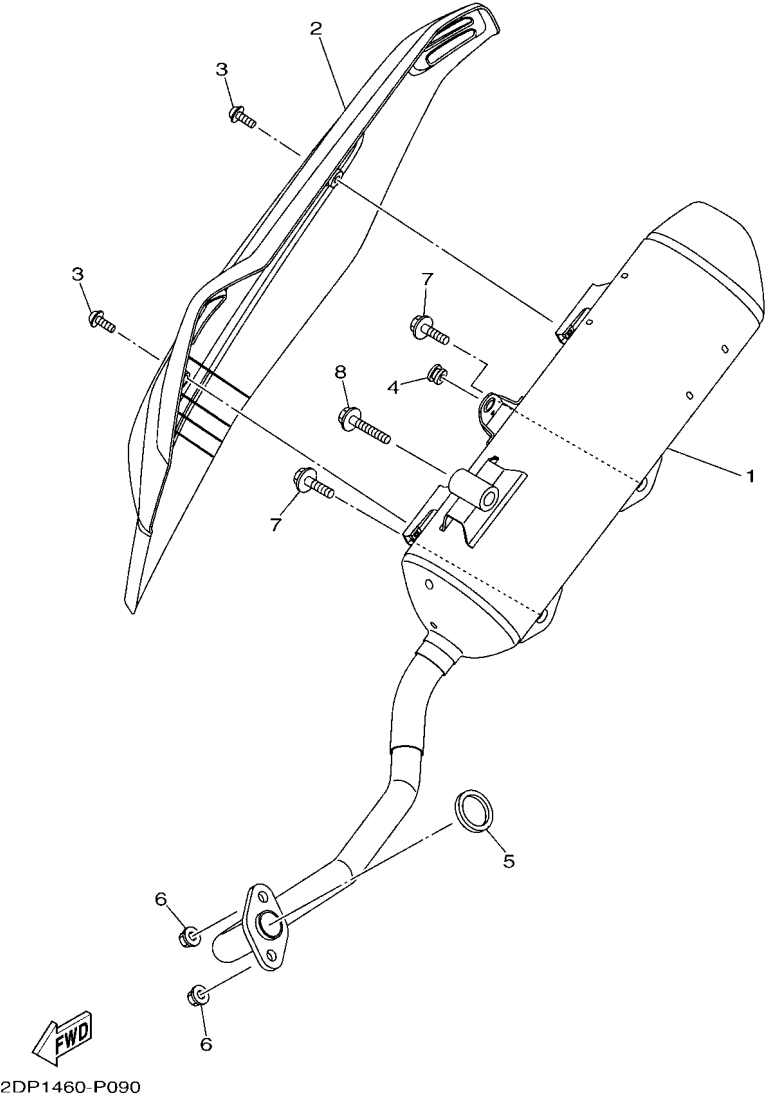


FIG. 8 INTAKE

REF. NO.	PART NO.	DESCRIPTION	BC12				REMARKS
28	2DP-E4449-00	COLLAR	2				
29	2DP-E4435-00	GROMMET	2				
30	5TP-E443G-00	PIPE, DRAIN 2	1				
31	90467-12800	CLIP	1				
32	2DP-E4417-00	COVER 1	1				
33	2DP-E4419-00	PIPE	1				
34	90467-20804	CLIP	1				
35	95812-06030	BOLT, FLANGE	2				
36	90520-15809	DAMPER, PLATE	1				
37	54P-E3575-00	BAND	1				
38	2DP-E1166-00	PIPE, BREATHER 1	1				
39	90467-11825	CLIP	1				
40	90467-12052	CLIP	1				

FIG. 9 EXHAUST



REF. NO.	PART NO.	DESCRIPTION	BC12				REMARKS
1	2DP-E4711-00	MUFFLER 1	1				
2	2DP-E4718-00	PROTECTOR, MUFFLER 1	1				
3	90111-06807	BOLT,HEX. SOCKET BUTTON	2				
4	90480-10332	GROMMET	1				
5	2DP-E4613-00	GASKET, EXHAUST PIPE	1				
6	95702-08500	NUT, FLANGE	2				
7	95812-10045	BOLT, FLANGE	2				
8	95812-10060	BOLT, FLANGE	1				

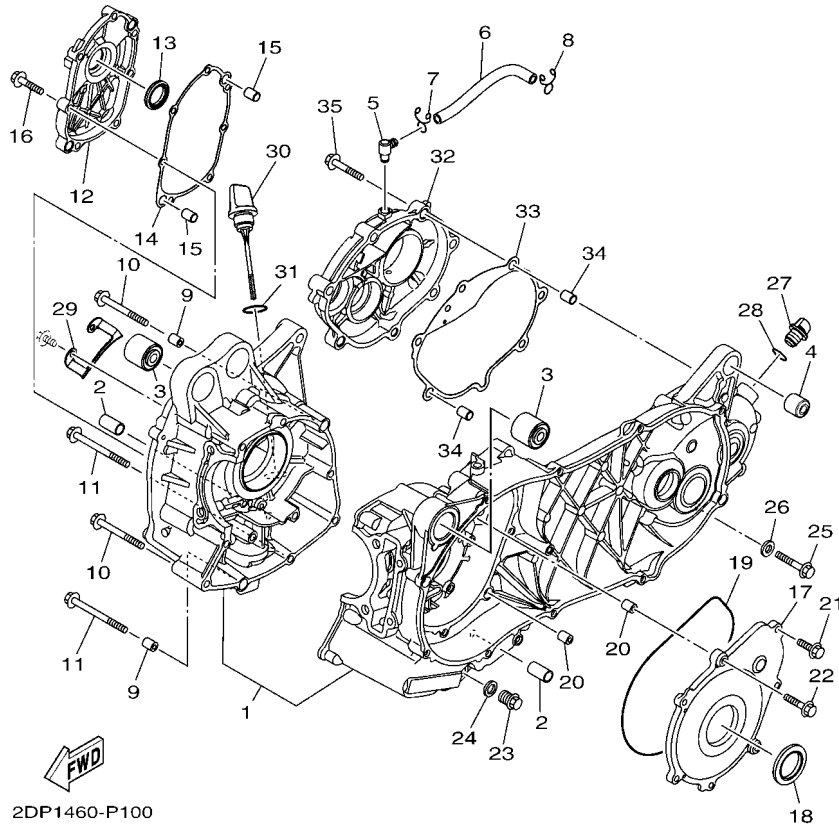
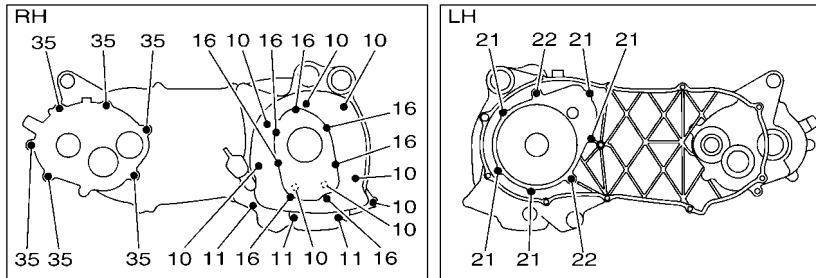


FIG. 10 CRANKCASE

REF. NO.	PART NO.	DESCRIPTION	BC12	REMARKS
1	2DP-E5150-00	CRANKCASE ASSY	1	
2	2DP-F7121-00	BUSH	2	
3	90388-10814	DAMPER	2	
4	5MX-F2216-00	BUSH, REAR SHOCK ABSORBER	1	
5	5LW-E5371-01	BREATHER	1	
6	2DP-E5373-00	PIPE, BREATHER	1	
7	90467-10008	CLIP	1	
8	90467-11825	CLIP	1	
9	91810-14809	PIN, DOWEL	2	
10	95022-06060	BOLT, FLANGE	8	
11	95022-06110	BOLT, FLANGE	3	
12	2DP-E5417-00	COVER, CAP	1	
13	93102-22829	OIL SEAL	1	
14	2DP-E5453-00	GASKET	1	
15	91810-14809	PIN, DOWEL	2	
16	95022-06025	BOLT, FLANGE	7	
17	2DP-E5423-00	COVER 2	1	
18	93102-30802	OIL SEAL	1	
19	93211-52800	O-RING	1	
20	91810-14809	PIN, DOWEL	2	
21	95022-06020	BOLT, FLANGE	5	
22	95022-06030	BOLT, FLANGE	2	
23	90340-12808	PLUG, STRAIGHT SCREW	1	
24	4YS-E1198-00	GASKET	1	
25	95812-08040	BOLT, FLANGE	1	
26	90430-08119	GASKET	1	
27	5LW-E5363-00	PLUG, OIL	1	

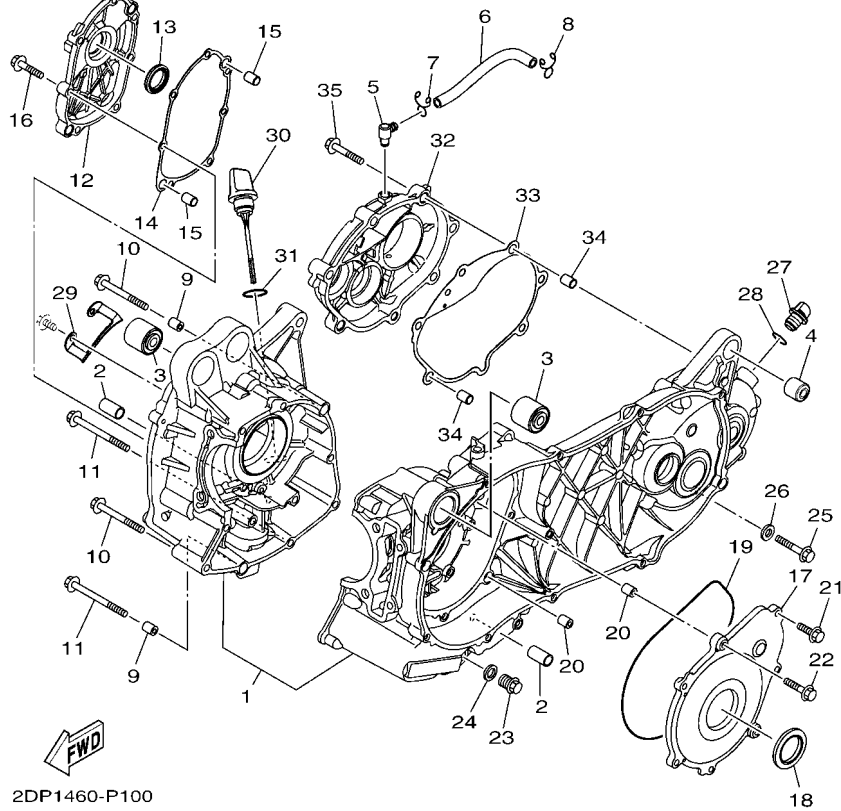
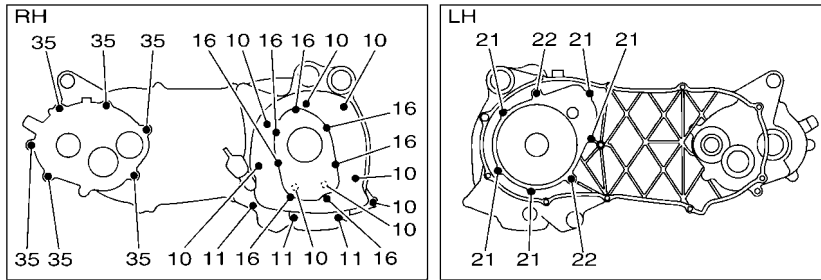
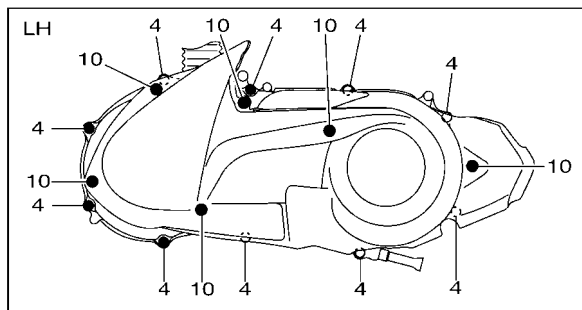
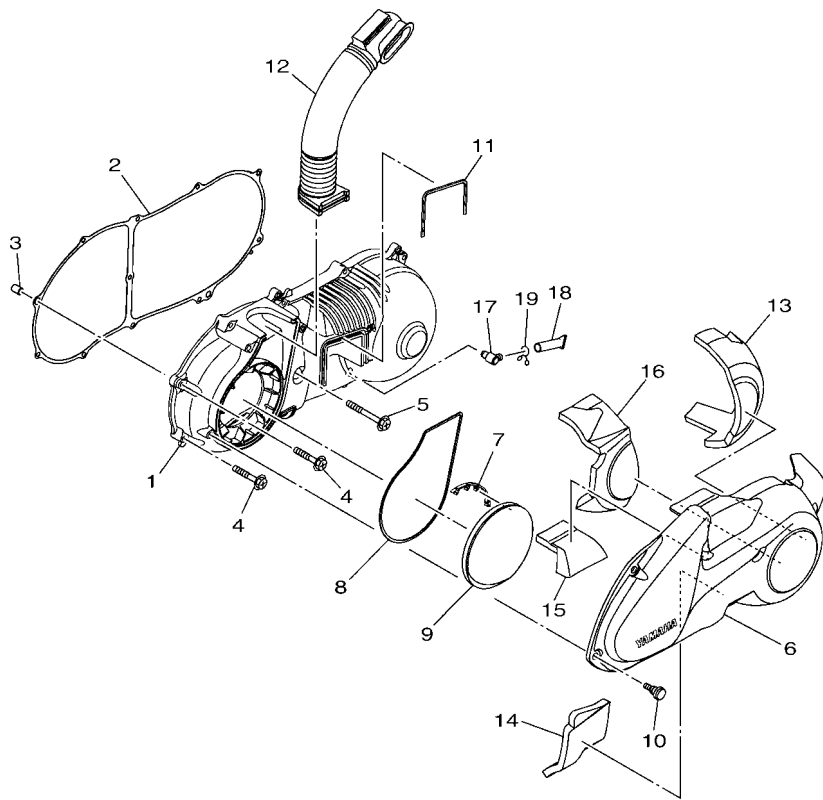


FIG. 10 CRANKCASE

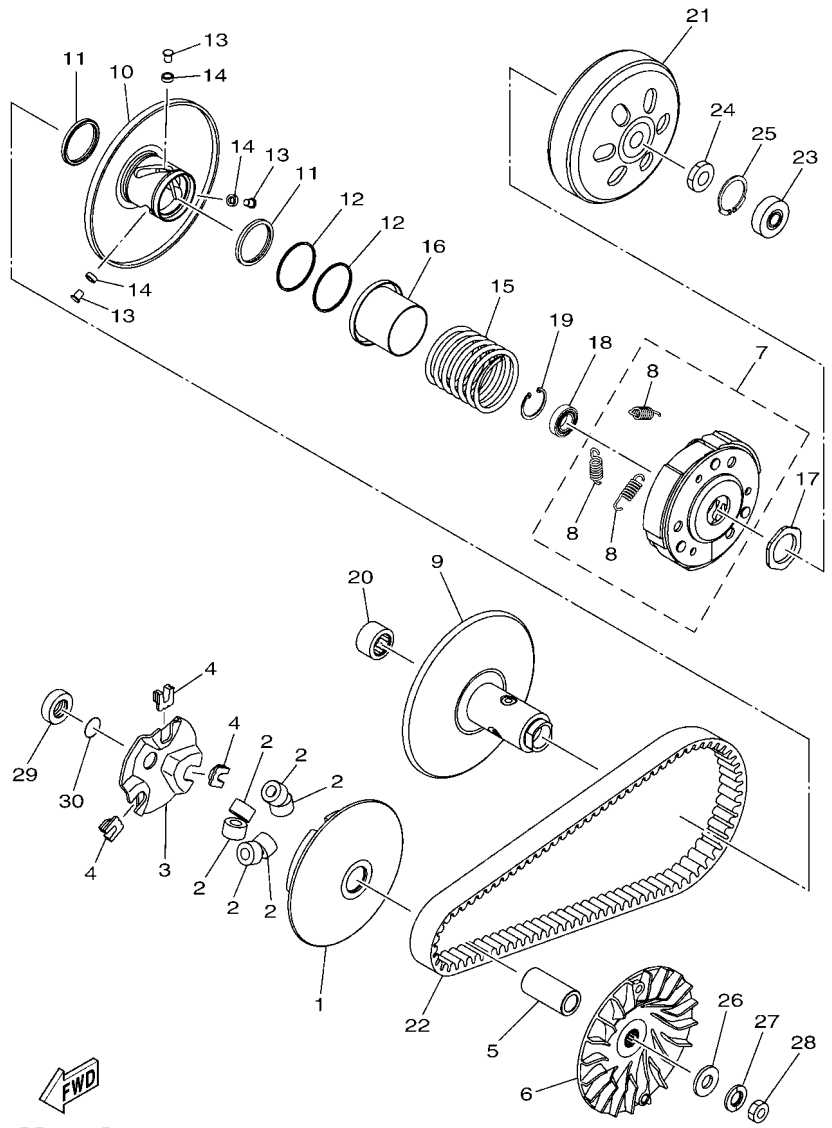
REF. NO.	PART NO.	DESCRIPTION	BC12				REMARKS
28	93210-14816	O-RING	1				
29	2DP-E5113-00	PLATE	1				
30	2DP-E5362-00	PLUG, OIL LEVEL	1				
31	5LW-E3769-00	O-RING	1				
32	2DP-E5421-00	COVER, CRANKCASE 2	1				
33	2DP-E5461-00	GASKET, CRANKCASE COVER 2	1				
34	91810-14809	PIN, DOWEL	2				
35	95022-08040	BOLT, FLANGE	6				




 2DP1460-P110

FIG. 11 CRANKCASE COVER 1

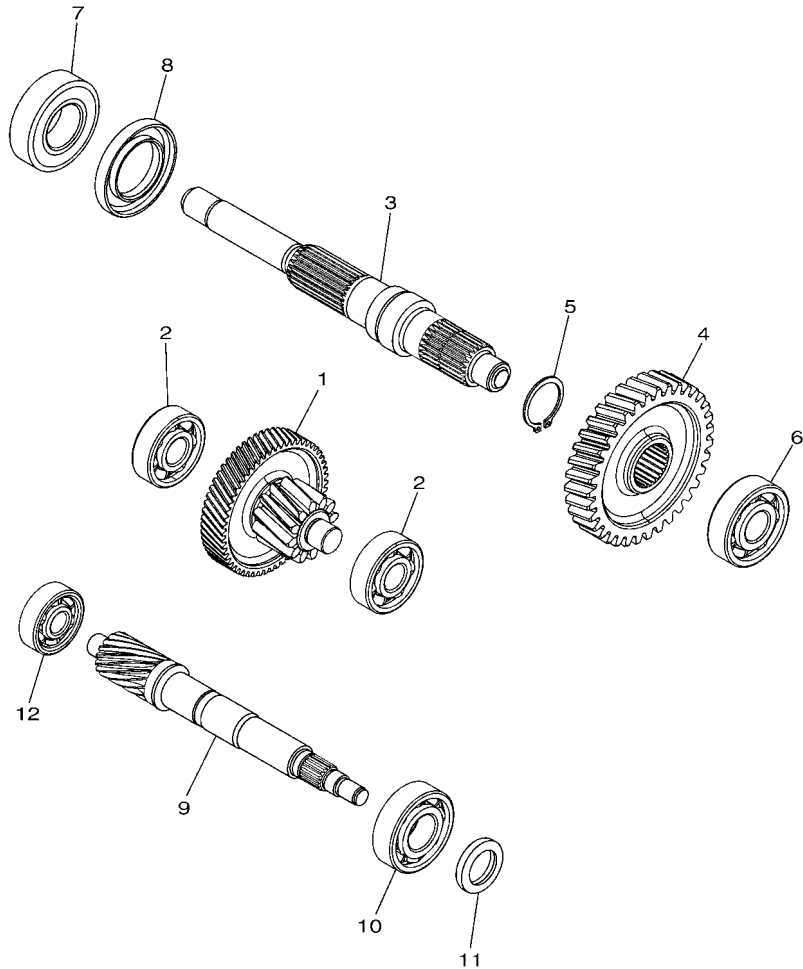
REF. NO.	PART NO.	DESCRIPTION	BC12				REMARKS
1	2DP-E5411-00	COVER, CRANKCASE 1	1				
2	2DP-E5451-00	GASKET, CRANKCASE COVER 1	1				
3	91810-14809	PIN, DOWEL	1				
4	95022-06035	BOLT, FLANGE	10				
5	95022-06050	BOLT, FLANGE	1				
6	2DP-E5431-00	COVER, CRANKCASE 3	1				
7	2DP-E5495-00	SEAL, PROTECTOR 1	1				
8	2DP-E5472-00	SEAL, AIR DUCT	1				
9	2DP-E5407-00	ELEMENT 1	1				
10	2DP-E5481-00	BOLT 1	6				
11	2DP-E5474-00	SEAL, AIR DUCT	1				
12	2DP-E5473-00	DUCT, AIR	1				
13	2DP-E5316-00	DAMPER 1	1				
14	2DP-E5326-00	DAMPER 2	1				
15	2DP-E5335-00	DAMPER 3	1				
16	2DP-E5337-00	DAMPER 4	1				
17	5LW-E5371-01	BREATHER	1				
18	4ST-E443E-00	PIPE, DRAIN	1				
19	90467-11106	CLIP	1				



2DP1460-P130

FIG. 13 CLUTCH

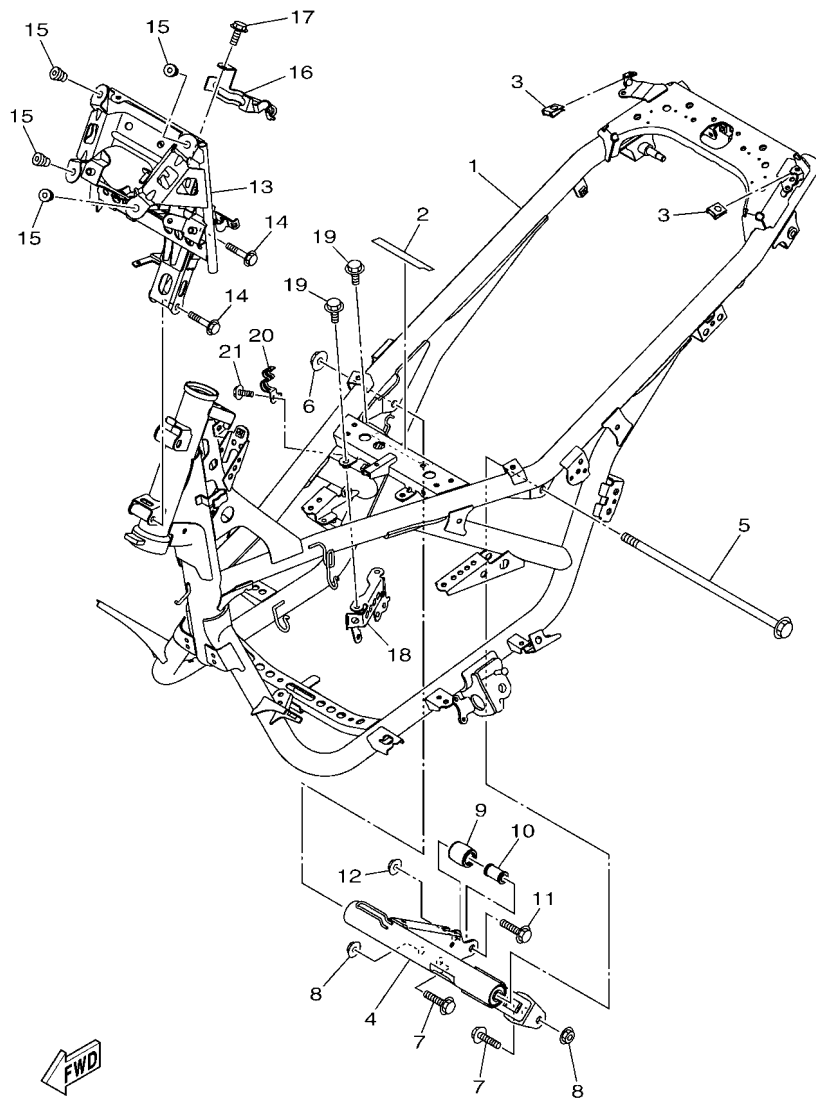
REF. NO.	PART NO.	DESCRIPTION	BC12				REMARKS
1	2DP-E7620-00	PRIMARY SLIDING SHEAVE COMP.	1				
2	2DP-E7632-00	WEIGHT	6				
3	2DP-E7623-00	CAM	1				
4	2DP-E7653-00	SLIDER	3				
5	2DP-E7674-00	COLLAR, GUIDE	1				
6	2DP-E7611-00	SHEAVE, PRIMARY FIXED	1				
7	2DP-E6620-00	CLUTCH CARRIER ASSY	1				
8	2DP-E6626-00	.SPRING, CLUTCH WEIGHT 1	3				
9	2DP-E7660-00	SECONDARY FIXED SHEAVE COMP.	1				
10	2DP-E7670-00	SECONDARY SLIDING SHEAVE	1				
11	2DP-E7465-00	SEAL	2				
12	2DP-E7465-10	SEAL	2				
13	2DP-E7664-00	PIN, GUIDE	3				
14	2DP-E7674-10	COLLAR, GUIDE	3				
15	2DP-E7683-00	SPRING, SECONDARY	1				
16	2DP-E7684-00	SEAT, SECONDARY SPRING	1				
17	2DP-E7668-00	NUT	1				
18	2DP-E7678-00	BEARING	1				
19	2DP-E5744-00	CIRCLIP	1				
20	2DP-E7678-10	BEARING	1				
21	2DP-E6611-00	CLUTCH HOUSING COMP.	1				
22	2DP-E7641-00	V-BELT	1				
23	2DP-E7412-00	BEARING	1				
24	90170-12802	NUT	1				
25	99009-35700	CIRCLIP	1				
26	90201-120A5	WASHER, PLATE	1				
27	90208-12808	WASHER, CONICAL SPRING	1				




 2DP1460-P140

FIG. 14 TRANSMISSION

REF. NO.	PART NO.	DESCRIPTION	BC12				REMARKS
1	2DP-E7410-01	MAIN AXLE COMP. (12T/56T)	1				UR
	2DP-E7410-10	MAIN AXLE COMP. (12T/56T)	1				UR
2	93306-302X2	BEARING	2				
3	2DP-E7421-00	AXLE, DRIVE	1				
4	2DP-E7211-00	GEAR, 1ST WHEEL (35T)	1				
5	99009-25400	CIRCLIP	1				
6	93306-303YP	BEARING	1				
7	93306-255X2	BEARING	1				
8	93102-32807	OIL SEAL	1				
9	2DP-E6111-00	GEAR, PRIMARY DRIVE	1				
10	93306-204XR	BEARING	1				
11	93102-20815	OIL SEAL	1				
12	93306-301XT	BEARING	1				

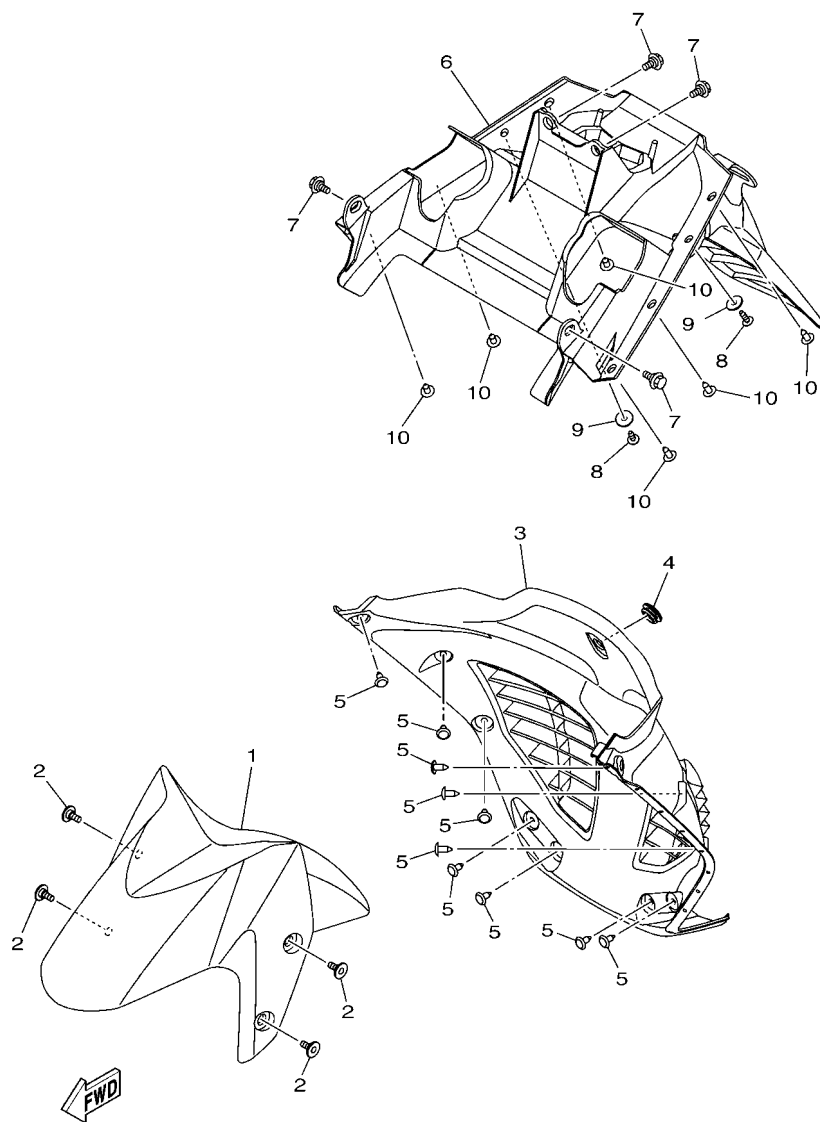


BK31261-T150

FIG. 15 FRAME

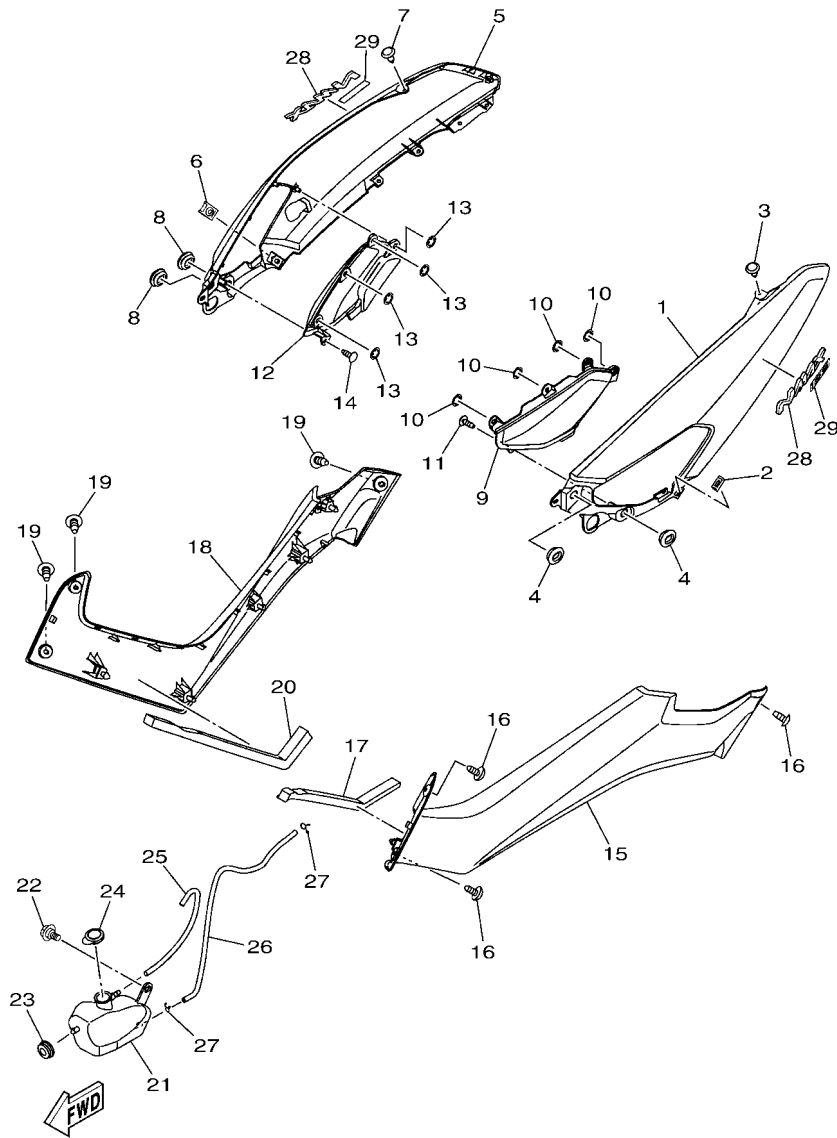
REF. NO.	PART NO.	DESCRIPTION	BC12				REMARKS
1	2DP-F1110-01	FRAME COMP.	1				
2	2DP-F414G-00	SEAL	1				
3	90183-05807	NUT, SPRING	2				
4	2DP-F1400-00	ENGINE BRACKET COMP.	1				
5	2DP-F2141-00	SHAFT, PIVOT	1				
6	95602-10200	NUT, S/L FLANGE	1				
7	90105-10283	BOLT, FLANGE	2				
8	95602-10200	NUT, S/L FLANGE	2				
9	2DP-F7114-00	STOPPER, MAIN STAND	1				
10	BC1-F1748-00	COLLAR	1				
11	90105-10283	BOLT, FLANGE	1				
12	95602-10200	NUT, S/L FLANGE	1				
13	2DP-F8356-00	STAY 1	1				
14	95812-08055	BOLT, FLANGE	2				
15	90179-05003	NUT	4				
16	2DP-F588F-00	HOLDER, BRAKE HOSE 5	1				
17	95802-06012	BOLT, FLANGE	1				
18	2DP-F194U-00	STAY, IGNITION COIL	1				
19	95022-06012	BOLT, FLANGE	2				
20	2DP-F5886-00	HOLDER, BRAKE HOSE	1				
21	95802-06012	BOLT, FLANGE	1				

FIG. 16 FENDER



BC11440-R160

REF. NO.	PART NO.	DESCRIPTION	BC12				REMARKS
1	BC1-F1511-00-P4	FENDER, FRONT	1				UR FOR VPBC5
	BC1-F1511-00-P5	FENDER, FRONT	1				UR FOR MBL2
2	90109-068A4	BOLT	4				
3	2DP-F1552-00	FENDER, INNER	1				
4	90480-01559	GROMMET	1				
5	90269-06816	RIVET	10				
6	2DS-F1611-00	FENDER, REAR	1				
7	90109-06220	BOLT	4				
8	97707-50020	SCREW, TAPPING	2				
9	90201-05036	WASHER, PLATE	2				
10	90269-06816	RIVET	6				

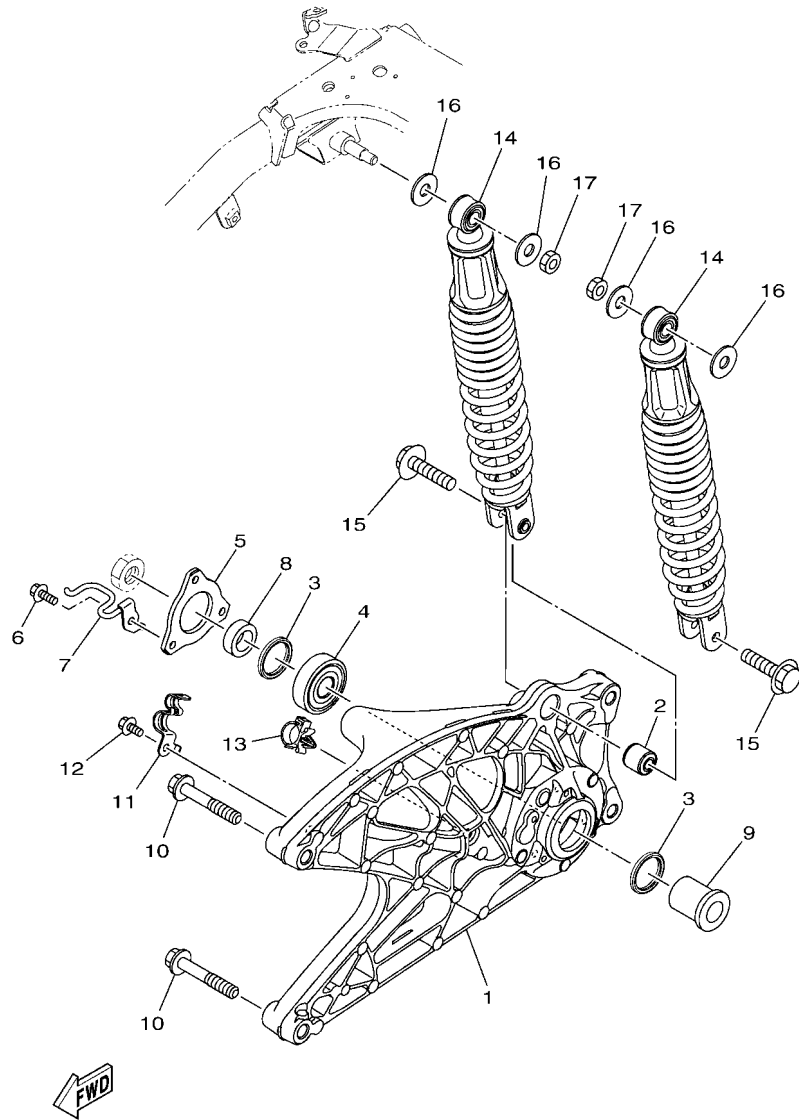


BC12440-T170

FIG. 17 SIDE COVER

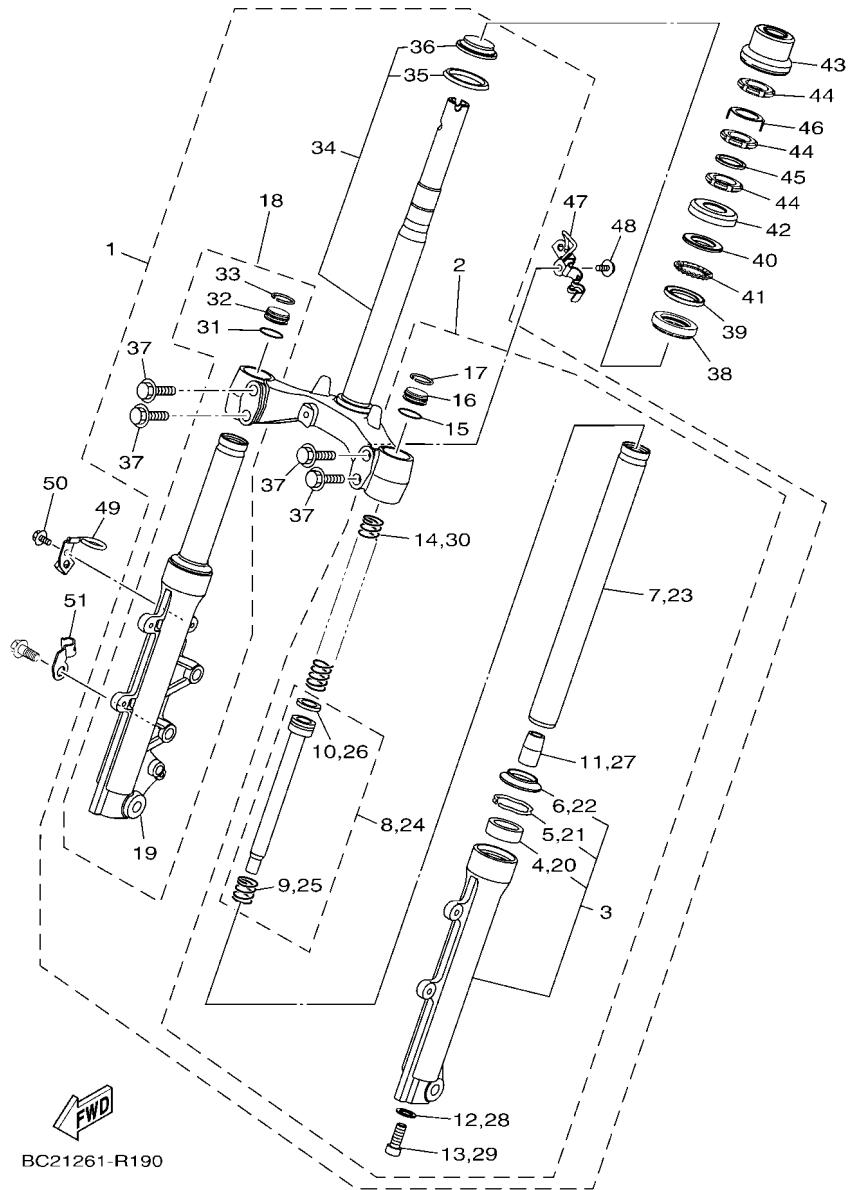
REF. NO.	PART NO.	DESCRIPTION	BC12	REMARKS
1	BC1-F1711-00-P4	COVER, SIDE 1	1	UR FOR VPBC5
	BC1-F1711-00-P5	COVER, SIDE 1	1	UR FOR MBL2
2	90183-05807	NUT, SPRING	1	
3	90269-06816	RIVET	1	
4	90480-01559	GROMMET	2	
5	BC1-F1721-00-P4	COVER, SIDE 2	1	UR FOR VPBC5
	BC1-F1721-00-P5	COVER, SIDE 2	1	UR FOR MBL2
6	90183-05807	NUT, SPRING	1	
7	90269-06816	RIVET	1	
8	90480-01559	GROMMET	2	
9	2DP-F171E-00	COVER, SIDE 5	1	
10	90183-06815	NUT, SPRING	4	
11	97702-50016	SCREW, TAPPING	1	
12	2DP-F171X-00	COVER, SIDE 6	1	
13	90183-06815	NUT, SPRING	4	
14	97702-50016	SCREW, TAPPING	1	
15	BC1-F1731-00-P1	COVER, SIDE 3	1	UR MNM3 FOR VPBC5
	BC1-F1731-00-P2	COVER, SIDE 3	1	UR SMX FOR MBL2
16	90160-05810	SCREW, ROUND TAPPING	3	
17	90520-20816	DAMPER, PLATE	1	
18	BC1-F1741-00-P1	COVER, SIDE 4	1	UR MNM3 FOR VPBC5
	BC1-F1741-00-P2	COVER, SIDE 4	1	UR SMX FOR MBL2
19	90160-05810	SCREW, ROUND TAPPING	3	
20	90520-20816	DAMPER, PLATE	1	
21	2DP-F1871-00	TANK, RECOVERY	1	
22	90109-06220	BOLT	1	
23	90480-13567	GROMMET	1	

FIG. 18 REAR ARM & SUSPENSION



BC23261-T180

REF. NO.	PART NO.	DESCRIPTION	BC12				REMARKS
1	2DP-F2171-00	ARM, REAR 1	1				
2	5MX-F2216-00	BUSH, REAR SHOCK ABSORBER	1				
3	93106-28801	OIL SEAL	2				
4	93306-303YR	BEARING	1				
5	2DP-F2117-00	CAP	1				
6	95812-06016	BOLT, FLANGE	3				
7	2DP-F587A-00	HOLDER, BRAKE HOSE	1				
8	90387-17807	COLLAR	1				
9	2DP-F5377-00	COLLAR, WHEEL	1				
10	95812-10060	BOLT, FLANGE	2				
11	2DP-F5886-00	HOLDER, BRAKE HOSE	1				
12	95802-06012	BOLT, FLANGE	1				
13	90464-16006	CLAMP	1				
14	2DP-F2210-00	SHOCK ABSORBER ASSY, REAR	2				
15	90105-088E8	BOLT, FLANGE	2				
16	90201-10065	WASHER, PLATE	4				
17	95302-10600	NUT, HEXAGON	2				



BC21261-R190

FIG. 19 STEERING

REF. NO.	PART NO.	DESCRIPTION	BC12				REMARKS
1	2DP-F3100-00	FRONT FORK ASSY	1				
2	2DP-F3102-00	.FRONT FORK ASSY (L.H)	1				
3	2DP-F3126-00	..TUBE, OUTER (L.H)	1				
4	3HB-F3145-00	...OIL SEAL	1				
5	3V3-F3156-00	...RING, SNAP	1				
6	3HB-F3144-00	...SEAL, DUST	1				
7	2DP-F3110-00	..INNER TUBE COMP.1	1				
8	2DP-F3170-00	..CYLINDER COMP., FRONT FORK	1				
9	2K5-23152-00	...SPRING, SUB	1				
10	2DP-F3157-00	...RING, PISTON	1				
11	2DP-F3173-00	..SPINDLE, TAPER	1				
12	2BU-F3158-00	..GASKET	1				
13	278-F3181-50	..BOLT, HEXAGON SOCKET HEAD	1				
14	2DP-F3141-00	..SPRING, FRONT FORK	1				
15	3Y6-23114-00	..GASKET	1				
16	2DP-F3111-00	..BOLT, CAP	1				
17	2DP-F3153-00	..RING, SNAP	1				
18	2DP-F3103-00	.FRONT FORK ASSY (R.H)	1				
19	2DP-F3136-00	..TUBE, OUTER	1				
20	3HB-F3145-00	...OIL SEAL	1				
21	3V3-F3156-00	...RING, SNAP	1				
22	3HB-F3144-00	...SEAL, DUST	1				
23	2DP-F3110-00	..INNER TUBE COMP.1	1				
24	2DP-F3170-00	..CYLINDER COMP., FRONT FORK	1				
25	2K5-23152-00	...SPRING, SUB	1				
26	2DP-F3157-00	...RING, PISTON	1				
27	2DP-F3173-00	..SPINDLE, TAPER	1				

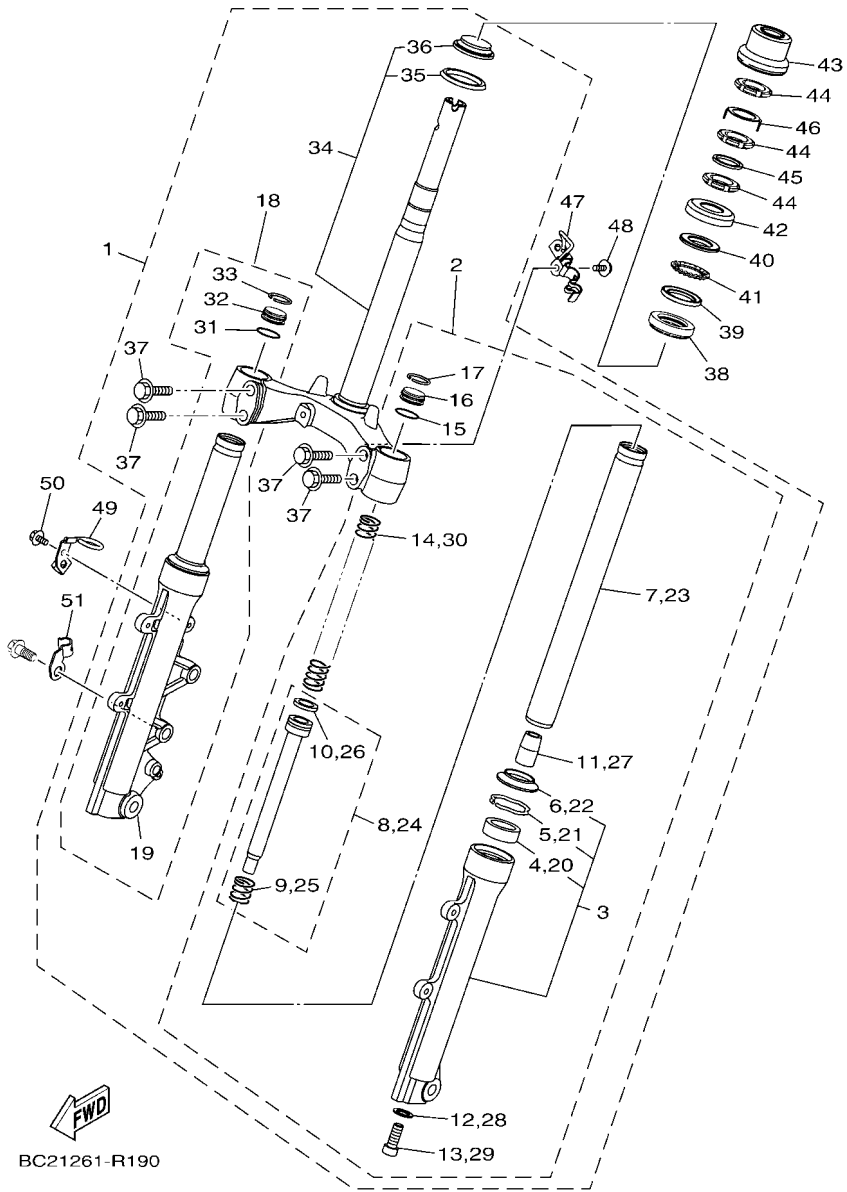
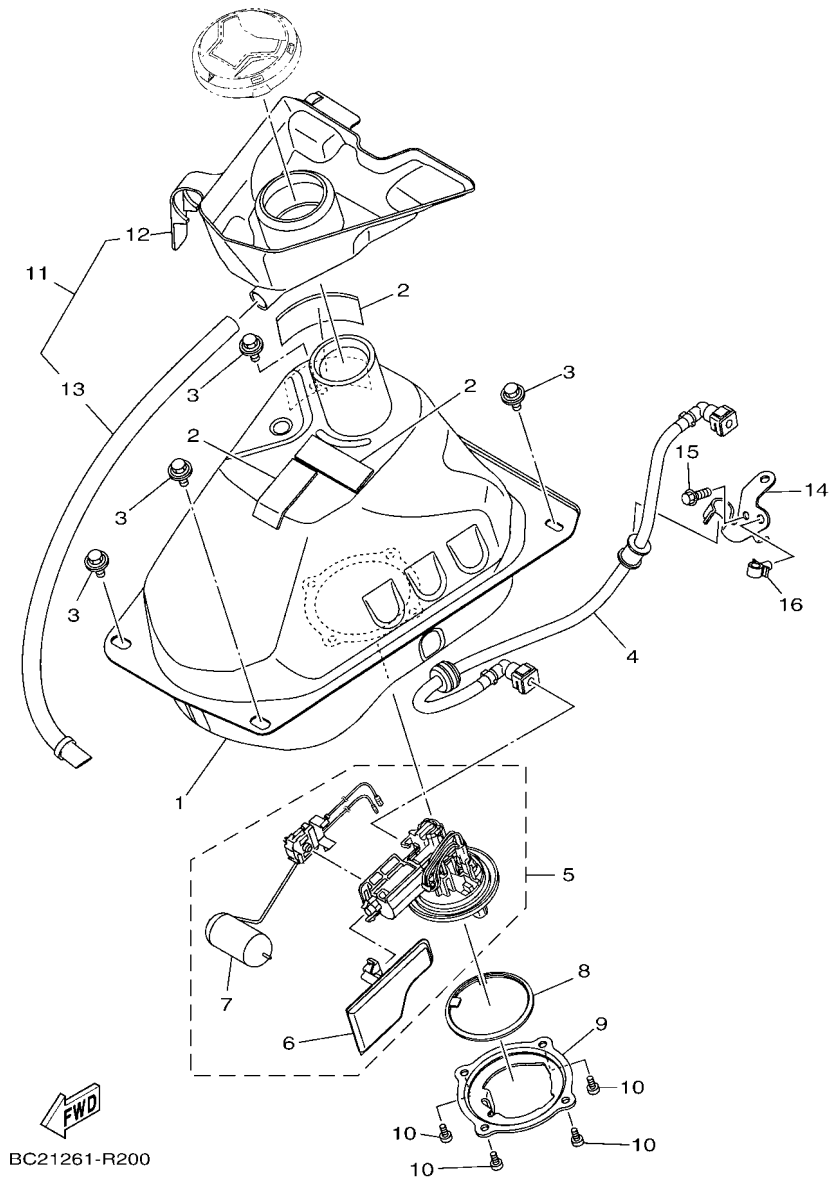


FIG. 19 STEERING

REF. NO.	PART NO.	DESCRIPTION	BC12				REMARKS
28	2BU-F3158-00	..GASKET	1				
29	278-F3181-50	..BOLT, HEXAGON SOCKET HEAD	1				
30	2DP-F3141-00	..SPRING, FRONT FORK	1				
31	3Y6-23114-00	..GASKET	1				
32	2DP-F3111-00	..BOLT, CAP	1				
33	2DP-F3153-00	..RING, SNAP	1				
34	2DP-F3340-00	..UNDER BRACKET COMP.	1				
35	5VC-23462-00	..SEAL, DUST	1				
36	5BP-F3875-00	..BEARING, STEERING LOWER	1				
37	5YW-F3346-10	..BOLT 1	4				
38	5BP-F3873-01	BEARING, STEERING UPPER	1				
39	54P-F3412-00	RACE, BALL 2	1				
40	54P-F3411-00	RACE, BALL 1	1				
41	5TL-F341E-10	RETAINER, BALL BEARING	1				
42	3AY-F3416-00	COVER, BALL RACE 2	1				
43	1LB-F3415-00	COVER, BALL RACE 1	1				
44	90179-25810	NUT	3				
45	90202-26142	WASHER, PLATE	1				
46	1PA-F3418-00	WASHER, SPECIAL	1				
47	2DP-F5875-00	HOLDER, BRAKE HOSE 1	1				
48	95802-06012	BOLT, FLANGE	1				
49	2DP-F5876-00	HOLDER, BRAKE HOSE 2	1				
50	95802-06012	BOLT, FLANGE	1				
51	2DP-F3317-00	HOLDER, CABLE	1				

FIG. 20 FUEL TANK



BC21261-R200

REF. NO.	PART NO.	DESCRIPTION	BC12				REMARKS
1	2DP-F4110-00	FUEL TANK COMP.	1				
2	5D9-F414G-00	SEAL	3				
3	90119-06856	BOLT, WITH WASHER	4				
4	2DP-E3971-01	PIPE, FUEL 1	1				
5	2DP-E3907-00	FUEL PUMP COMP.	1				
6	54P-E3915-00	.FILTER, FUEL SUCTION	1				
7	2DP-H5752-00	.SENDER UNIT ASSY, FUEL METER	1				
8	54P-F414G-10	SEAL	1				
9	2DP-F4491-00	BRACKET, FUEL PUMP	1				
10	91312-05010	BOLT, HEXAGON SOCKET HEAD	4				
11	2DP-F414A-00	COVER, FILLER	1				
12	2DP-F4217-00	.COVER	1				
13	2DP-F4318-00	.PIPE, OVERFLOW	1				
14	2DP-F419A-00	HOLDER	1				
15	95027-06016	BOLT, FLANGE	1				
16	90464-07805	CLAMP	1				

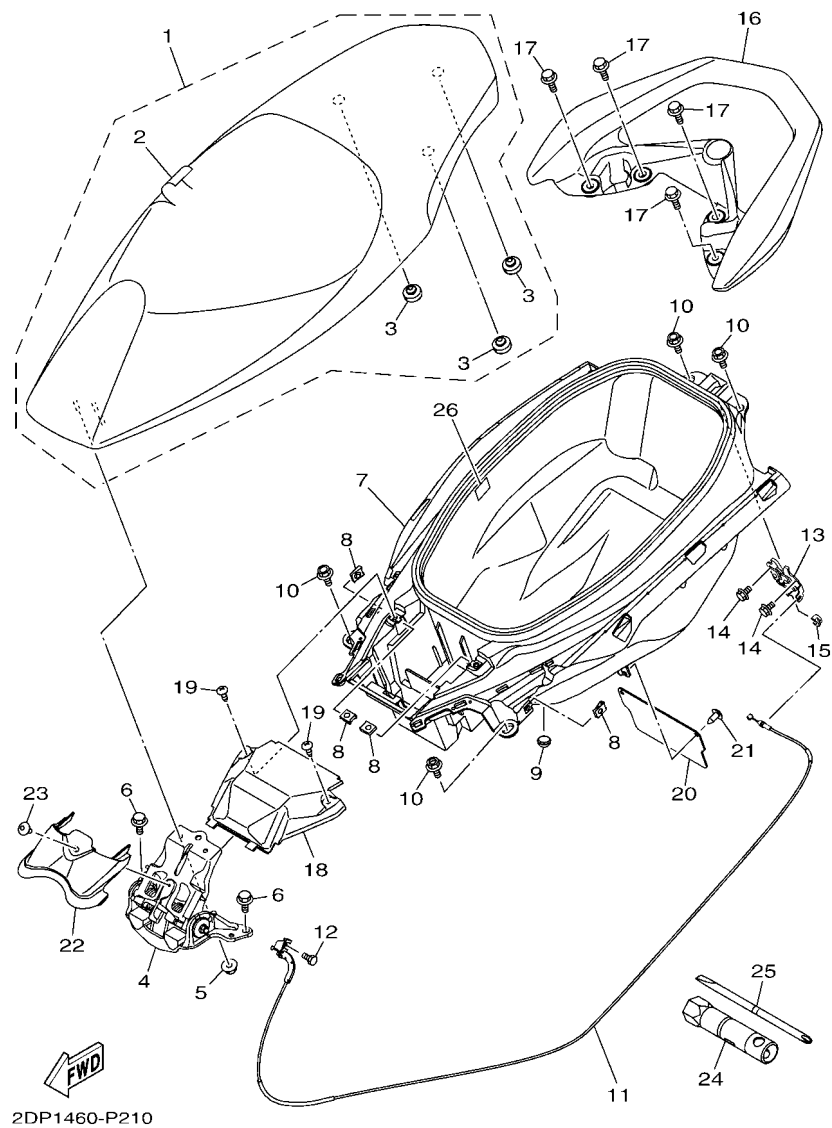


FIG. 21 SEAT

REF. NO.	PART NO.	DESCRIPTION	BC12	REMARKS
1	2DP-F4730-00	DOUBLE SEAT ASSY	1	
2	2DP-F470F-00	.SEAT COVER COMP.	1	
3	5BP-F4741-00	.PAD, SEAT	3	
4	2DP-F4772-09	HINGE ASSY	1	
5	95702-06500	NUT, FLANGE	3	
6	95812-06014	BOLT, FLANGE	4	
7	2DP-F473R-00	BOX 1	1	
8	90183-05807	NUT, SPRING	4	
9	4US-F6199-00	PLUG, BLIND	1	
10	90109-06220	BOLT	4	
11	2DP-F478E-00	CABLE, SEAT LOCK	1	
12	97527-05512	BOLT, WITH WASHER	1	
13	40D-F4780-01	SEAT LOCK ASSY	1	
14	95022-06012	BOLT, FLANGE	2	
15	1S7-F4768-00	STOPPER	1	
16	2DP-F4773-00-P1	HANDLE, SEAT	1	UR MNM3 FOR VPBC5
	2DP-F4773-00-P2	HANDLE, SEAT	1	UR SMX FOR MBL2
17	95822-08025	BOLT, FLANGE	4	
18	2DP-H2129-00	COVER, BATTERY	1	
19	97702-50016	SCREW, TAPPING	2	
20	2DP-F1621-00	FLAP	1	
21	90269-06816	RIVET	2	
22	2DP-F842N-00	COVER 2	1	
23	90111-05816	BOLT, HEX. SOCKET BUTTON	1	
24	2DP-F814F-00	BOX, SPARK PLUG	1	
25	5LM-F8152-00	DRIVER	1	
26	BC1-F1668-00	LABEL, TIRE	1	

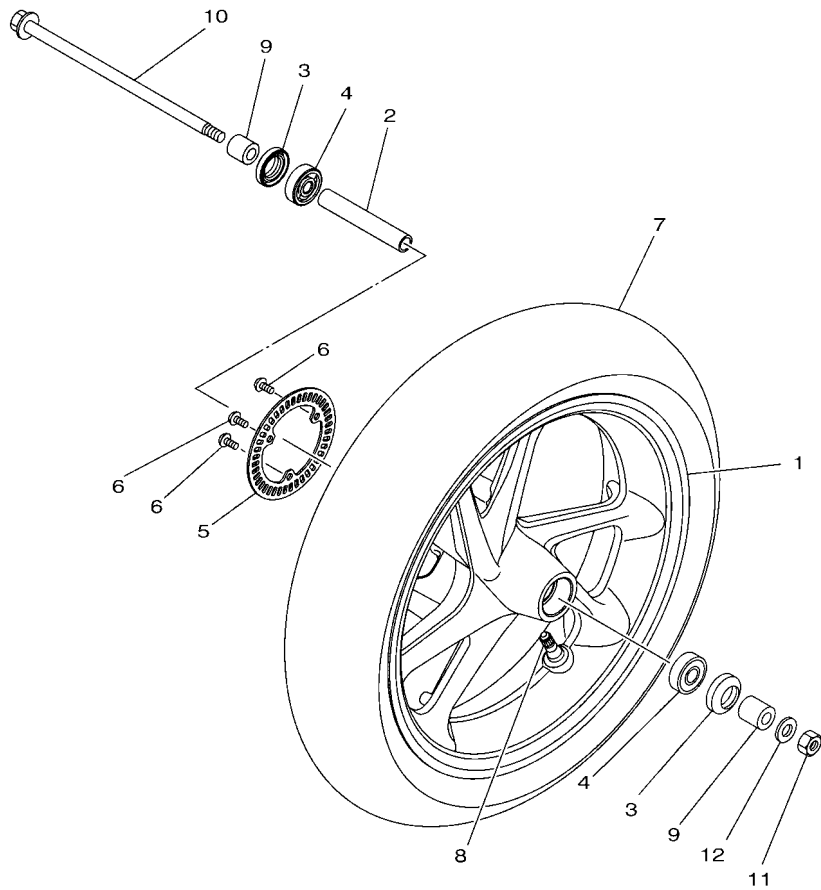


FIG. 22 FRONT WHEEL

REF. NO.	PART NO.	DESCRIPTION	BC12	REMARKS
1	2DP-F5168-01-33	CAST WHEEL, FRONT	1	UR YB FOR VPBC5
	2DP-F5168-01-P0	CAST WHEEL, FRONT	1	UR LNYM9 FOR MBL2
2	90387-10839	COLLAR	1	
3	93106-20816	OIL SEAL	2	
4	93306-300YL	BEARING	2	
5	2DP-F517G-00	ROTOR, SENSOR	1	
6	90149-05029	SCREW	3	
7	94111-13800	TIRE(110/70-13M/C 48P SS-570F)	1	INOUE
8	93900-00828	VALVE, RIM	1	
9	90387-10277	COLLAR	2	
10	2DP-F5181-00	AXLE, WHEEL	1	
11	90185-10012	NUT, SELF-LOCKING	1	
12	90201-10831	WASHER, PLATE	1	

 2DP1460-P220

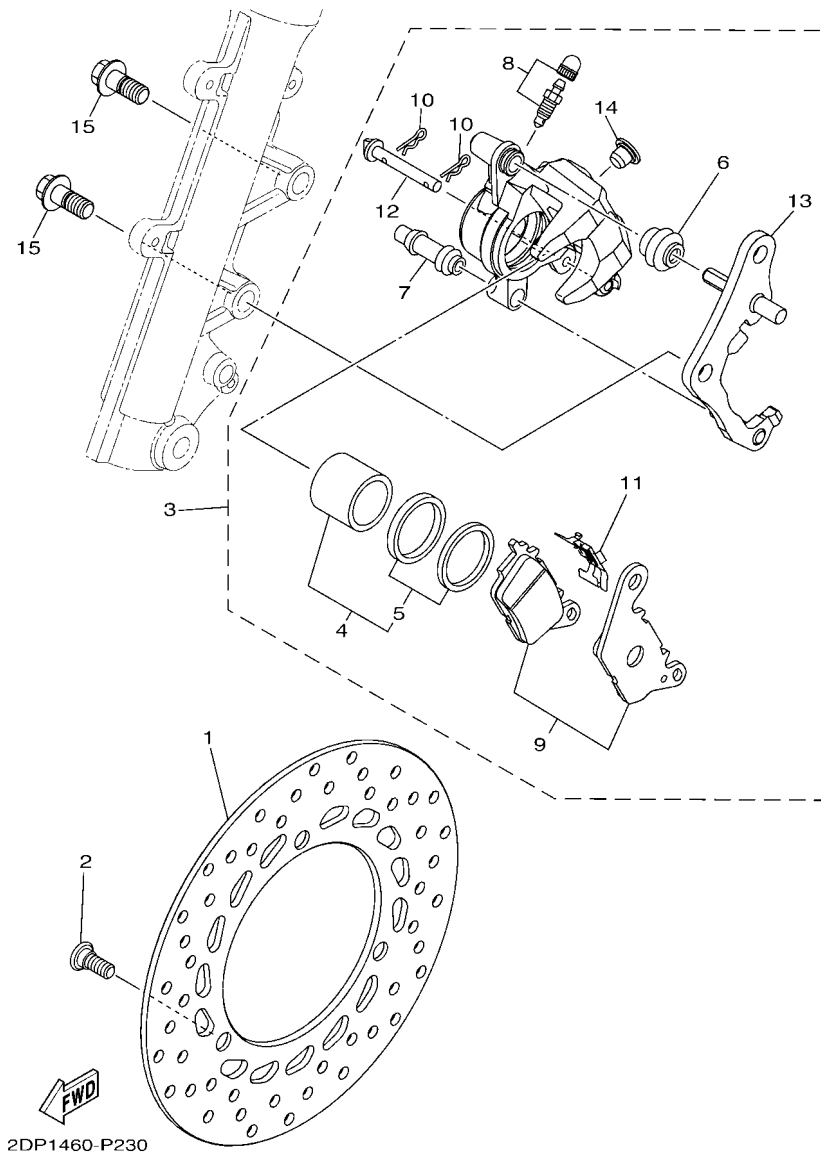
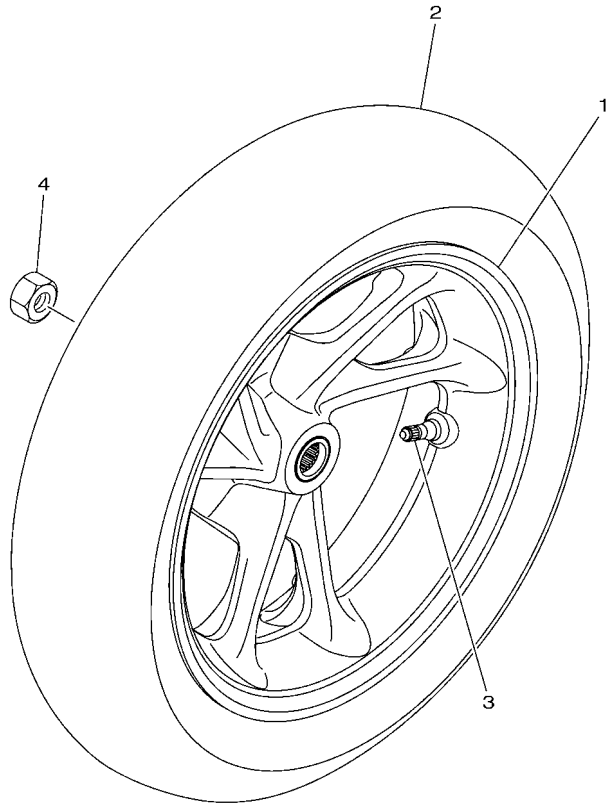


FIG. 23 FRONT BRAKE CALIPER

REF. NO.	PART NO.	DESCRIPTION	BC12				REMARKS
1	2DP-F582U-00	DISK, BRAKE (RIGHT)	1				
2	90109-08232	BOLT	3				
3	2DP-F580U-10	CALIPER ASSY (RIGHT)	1				
4	2BM-F5802-00	.PISTON ASSY, CALIPER	1				
5	5YP-F5803-50	..CALIPER SEAL KIT	1				
6	2BM-F5917-00	..BOOT, CALIPER	1				
7	5YP-F5937-00	..BOOT 2	1				
8	4C9-W0048-00	..BLEED SCREW KIT	1				
9	2DP-F5805-00	..BRAKE PAD KIT	1				
10	5YP-F5925-01	..CLIP	2				
11	2BM-F5919-00	..SUPPORT, PAD	1				
12	5YP-F5924-00	..PIN, PAD	1				
13	2DP-F5920-00	..SUPT. BRKT. ASSY.	1				
14	2R6-F5916-00	..PLUG	1				
15	90149-10804	SCREW	2				

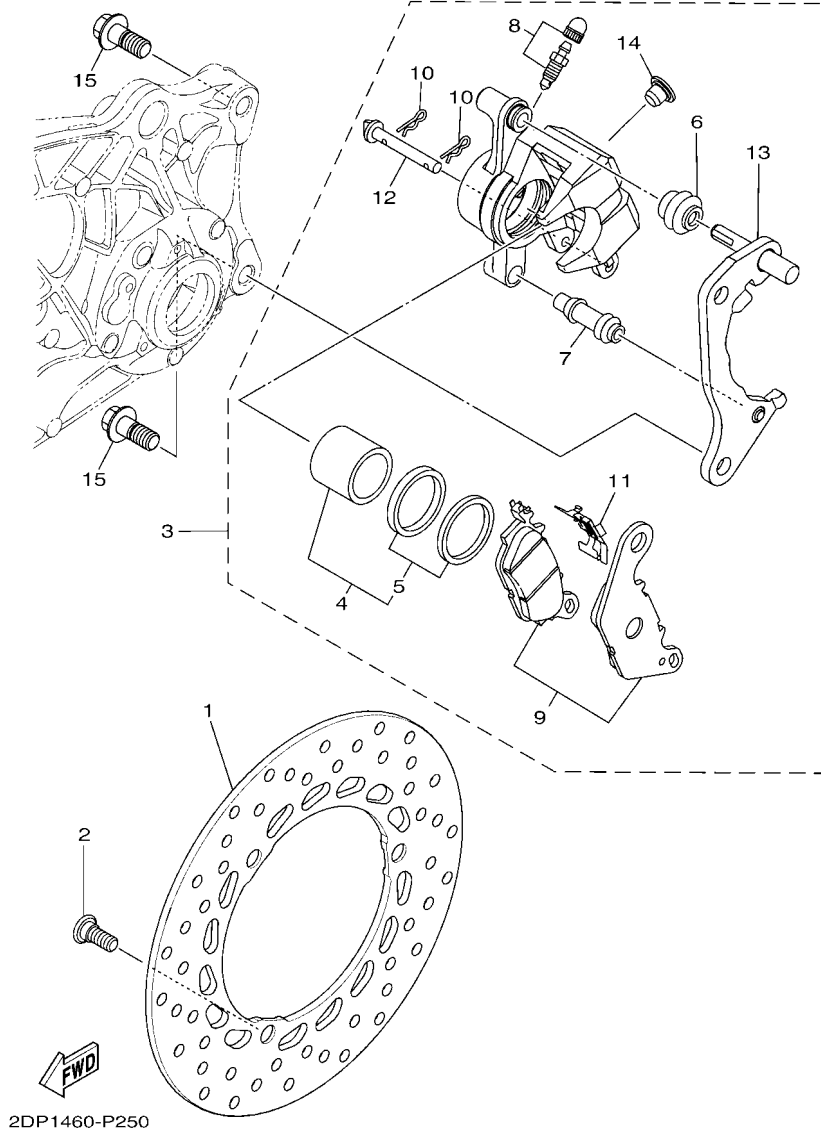
FIG. 24 REAR WHEEL

REF. NO.	PART NO.	DESCRIPTION	BC12				REMARKS
1	2DP-F5338-01-33	CAST WHEEL, REAR	1				UR YB FOR VPBC5
	2DP-F5338-01-P0	CAST WHEEL, REAR	1				UR LNYM9 FOR MBL2
2	94113-13801	TIRE(130/70-13M/C 63P SS-560R)	1				INOUE
3	93900-00828	VALVE, RIM	1				
4	90185-16800	NUT, SELF-LOCKING	1				
<hr/>							
<hr/>							
<hr/>							
<hr/>							
<hr/>							
<hr/>							
<hr/>							
<hr/>							
<hr/>							

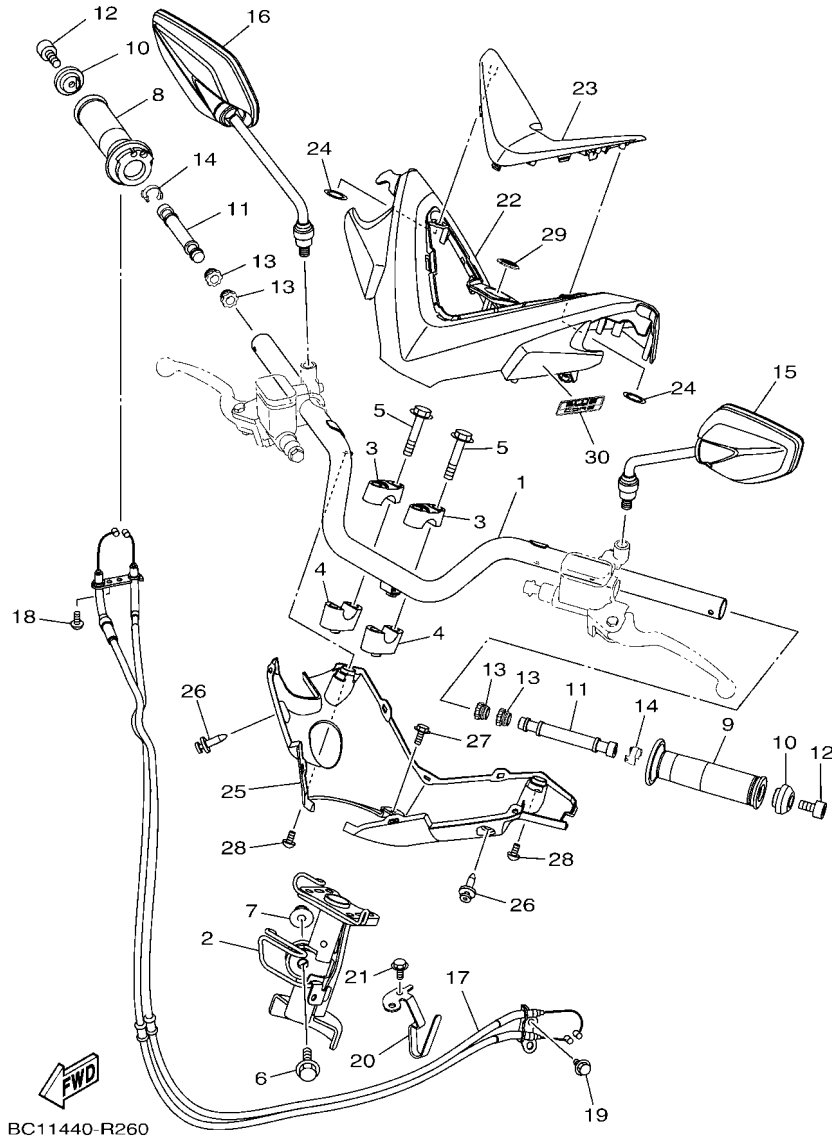



 2DP2460-P240

FIG. 25 REAR BRAKE CALIPER



REF. NO.	PART NO.	DESCRIPTION	BC12				REMARKS
1	2DP-F582W-00	DISK, REAR BRAKE 2	1				
2	90109-08232	BOLT	3				
3	2DP-F580W-10	CALIPER ASSY, REAR 2	1				
4	5P0-F5802-00	.PISTON ASSY, CALIPER	1				
5	5YP-F5803-50	..CALIPER SEAL KIT	1				
6	5YP-F5917-00	..BOOT, CALIPER	1				
7	5YP-F5937-00	..BOOT 2	1				
8	4C9-W0048-00	..BLEED SCREW KIT	1				
9	3C1-F5805-10	..BRAKE PAD KIT	1				
10	5YP-F5925-01	..CLIP	2				
11	5P0-F5919-00	..SUPPORT, PAD	1				
12	5YP-F5924-00	..PIN, PAD	1				
13	2DP-F5920-50	..SUPT. BRKT. ASSY.	1				
14	2R6-F5916-00	..PLUG	1				
15	90105-10882	BOLT, FLANGE	2				



BC11440-R260

FIG. 26 STEERING HANDLE & CABLE

REF. NO.	PART NO.	DESCRIPTION	BC12	REMARKS
1	2DP-F6110-00	HANDLE COMP.	1	
2	2DP-F3461-00	BRACKET, HANDLE	1	
3	2DP-F3441-00	HOLDER, HANDLE UPPER	2	
4	2DP-F3442-00	HOLDER, HANDLE LOWER	2	
5	95022-08055	BOLT, FLANGE	4	
6	90105-10896	BOLT, FLANGE	1	
7	90185-10011	NUT, SELF-LOCKING	1	
8	2DP-F6240-00	GRIP ASSY	1	
9	2DP-F6241-00	GRIP	1	
10	1WD-F6246-00	END, GRIP	2	
11	1WD-F622H-00	WEIGHT	2	
12	91317-06020	BOLT, HEX. SOCKET HEAD	2	
13	1S7-F622F-00	DAMPER, LOCATING 1	4	
14	1S7-F6257-00	STOPPER	2	
15	2CB-F6280-20	REAR VIEW MIRROR ASSY (LEFT)	1	
16	2CB-F6290-20	REAR VIEW MIRROR ASSY (RIGHT)	1	
17	2DP-F6301-00	THROTTLE CABLE ASSY	1	
18	92017-05016	BOLT, BUTTON HEAD	1	
19	95022-06010	BOLT, FLANGE	2	
20	2DP-F6279-00	GUIDE, CABLE	1	
21	95022-06012	BOLT, FLANGE	1	
22	2DP-F6143-00	COVER, HANDLE UPPER 1	1	
23	BC1-F6219-00-P1	EMBLEM	1	MNM3
24	90183-06815	NUT, SPRING	2	
25	2DP-F6144-00	COVER, HANDLEBAR LOWER 1	1	
26	90269-06816	RIVET	2	
27	90159-05032	SCREW, WITH WASHER	1	

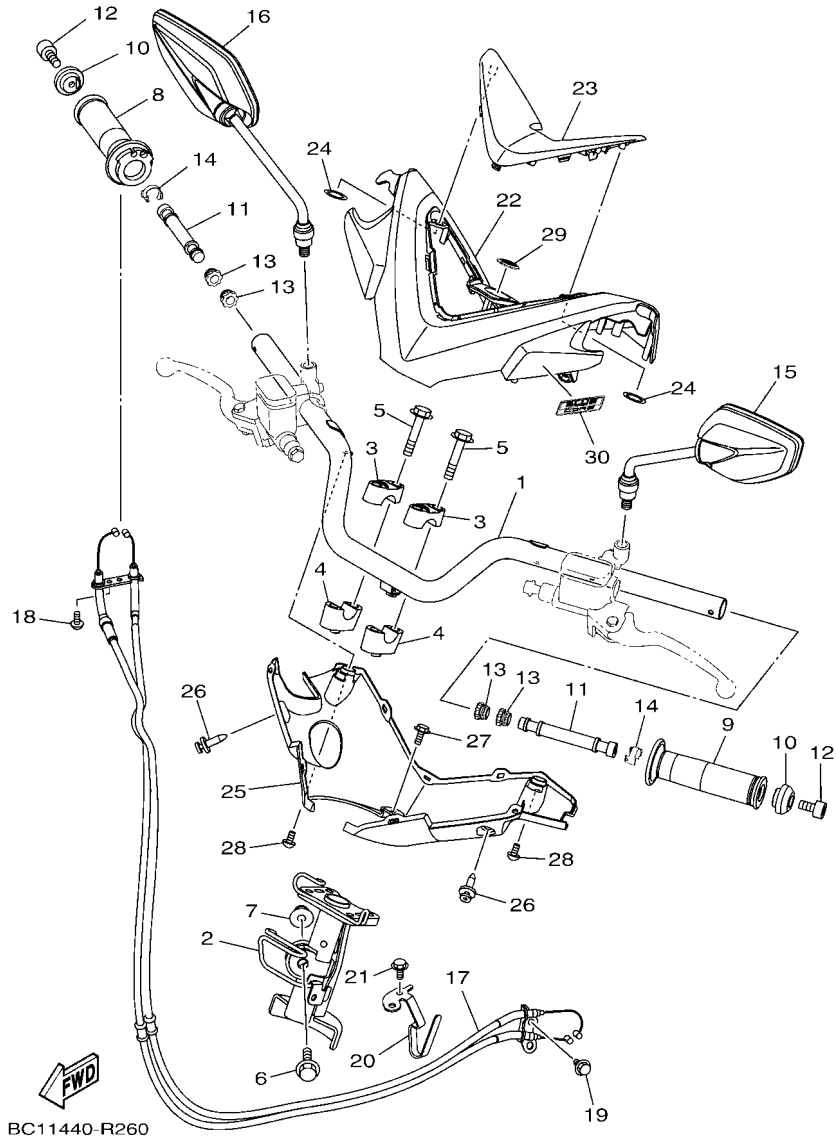
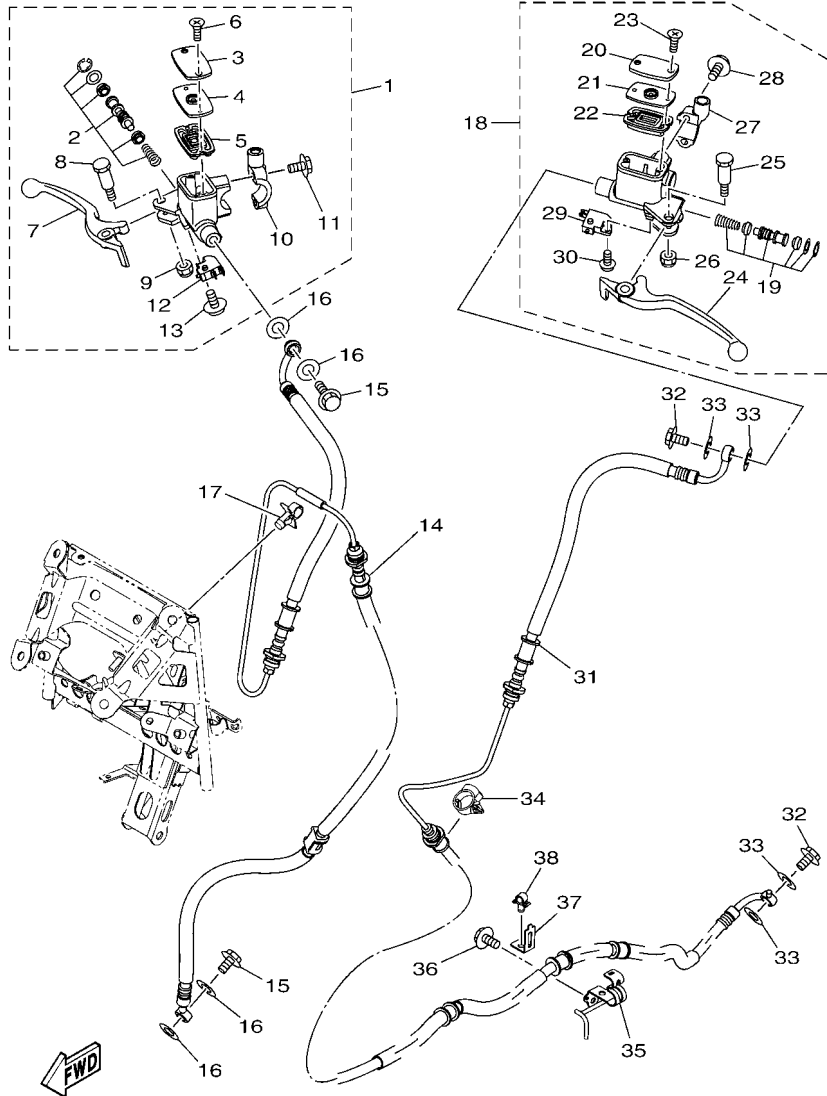


FIG. 26 STEERING HANDLE & CABLE

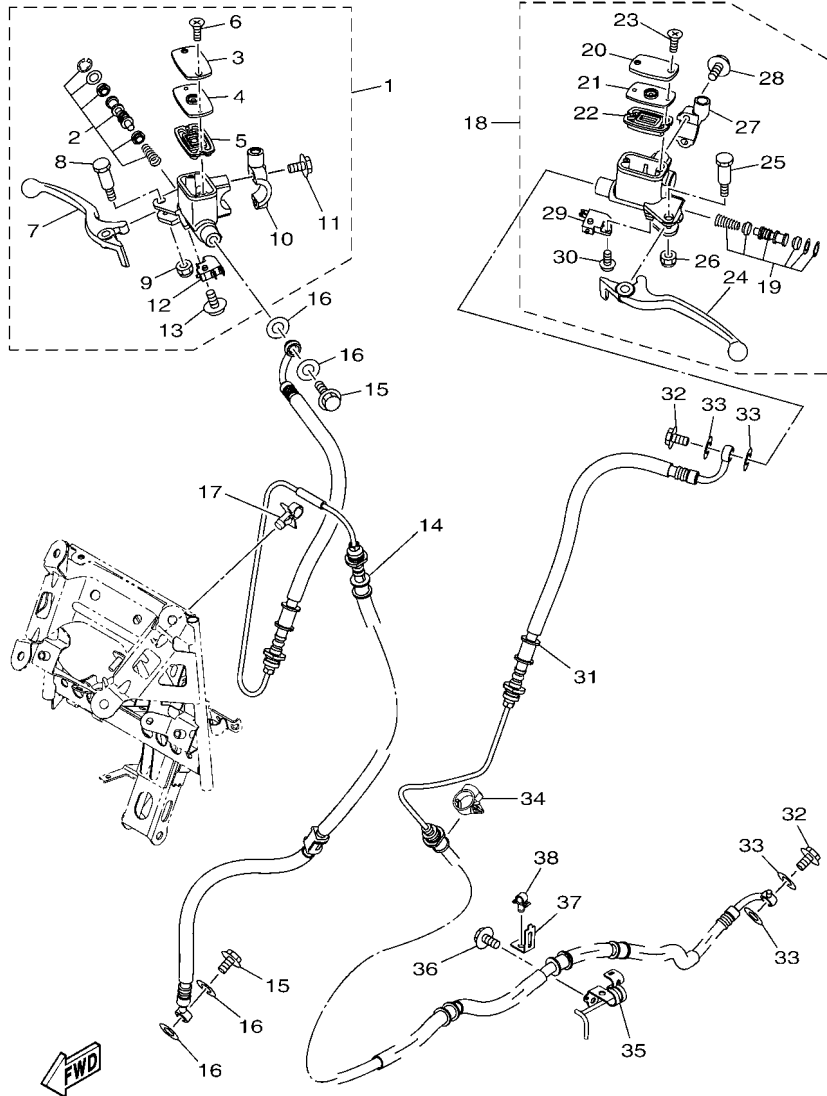
REF. NO.	PART NO.	DESCRIPTION	BC12				REMARKS
28	90160-05014	SCREW, ROUND TAPPING	2				
29	40D-F1737-00	EMBLEM	1				
30	B92-F1737-00	EMBLEM	1				



2DP2460-P270

FIG. 27 FRONT MASTER CYLINDER

REF. NO.	PART NO.	DESCRIPTION	BC12				REMARKS
1	2DP-F583T-10	MASTER CYLINDER ASSY	1				
2	2DP-F5807-00	.CYLINDER KIT, MASTER	1				
3	5HV-F5852-00	.CAP, RESERVOIR	1				
4	5HV-F585B-10	.PLATE, DIAPHRAGM	1				
5	5HV-F5854-10	.DIAPHRAGM, RESERVOIR	1				
6	98707-04012	.SCREW, FLAT HEAD	2				
7	2DP-H3922-00	.LEVER 2	1				
8	2DP-F589F-00	.BOLT, LEVER	1				
9	95602-06100	.NUT, S/L	1				
10	2DP-F5867-10	.BRACKET, MASTER CYLINDER	1				
11	1S9-F6332-00	.BOLT	2				
12	2DP-H3980-00	.FRONT STOP SWITCH ASSY	1				
13	97602-04312	.SCREW, PAN HEAD WITH WASHER	1				
14	2DP-F581K-00	HOSE, BRAKE 5	1				
15	90401-10812	BOLT, UNION	2				
16	90201-10118	WASHER, PLATE	4				
17	90464-07805	CLAMP	1				
18	2DP-F583V-10	RR. MASTER CYLINDER ASSY.	1				
19	2DP-F5807-10	.CYLINDER KIT, MASTER	1				
20	5HV-F5852-00	.CAP, RESERVOIR	1				
21	5HV-F585B-10	.PLATE, DIAPHRAGM	1				
22	5HV-F5854-10	.DIAPHRAGM, RESERVOIR	1				
23	98707-04012	.SCREW, FLAT HEAD	2				
24	2DP-H3912-00	.LEVER 1	1				
25	2DP-F589F-00	.BOLT, LEVER	1				
26	95602-06100	.NUT, S/L	1				
27	2DP-F5867-00	.BRACKET, MASTER CYLINDER	1				



2DP2460-P270

FIG. 27 FRONT MASTER CYLINDER

REF. NO.	PART NO.	DESCRIPTION	BC12				REMARKS
28	1S9-F6332-00	.BOLT	2				
29	2DP-H2530-00	.STOP SWITCH ASSY	1				
30	97602-04312	.SCREW, PAN HEAD WITH WASHER	1				
31	2DP-F582J-00	HOSE, BRAKE 6	1				
32	90401-10812	BOLT, UNION	2				
33	90201-10118	WASHER, PLATE	4				
34	90464-20181	CLAMP	1				
35	2DP-F5887-00	HOLDER, BRAKE HOSE	1				
36	95802-06012	BOLT, FLANGE	1				
37	2DP-F5522-00	HOLDER	1				
38	90464-07805	CLAMP	1				

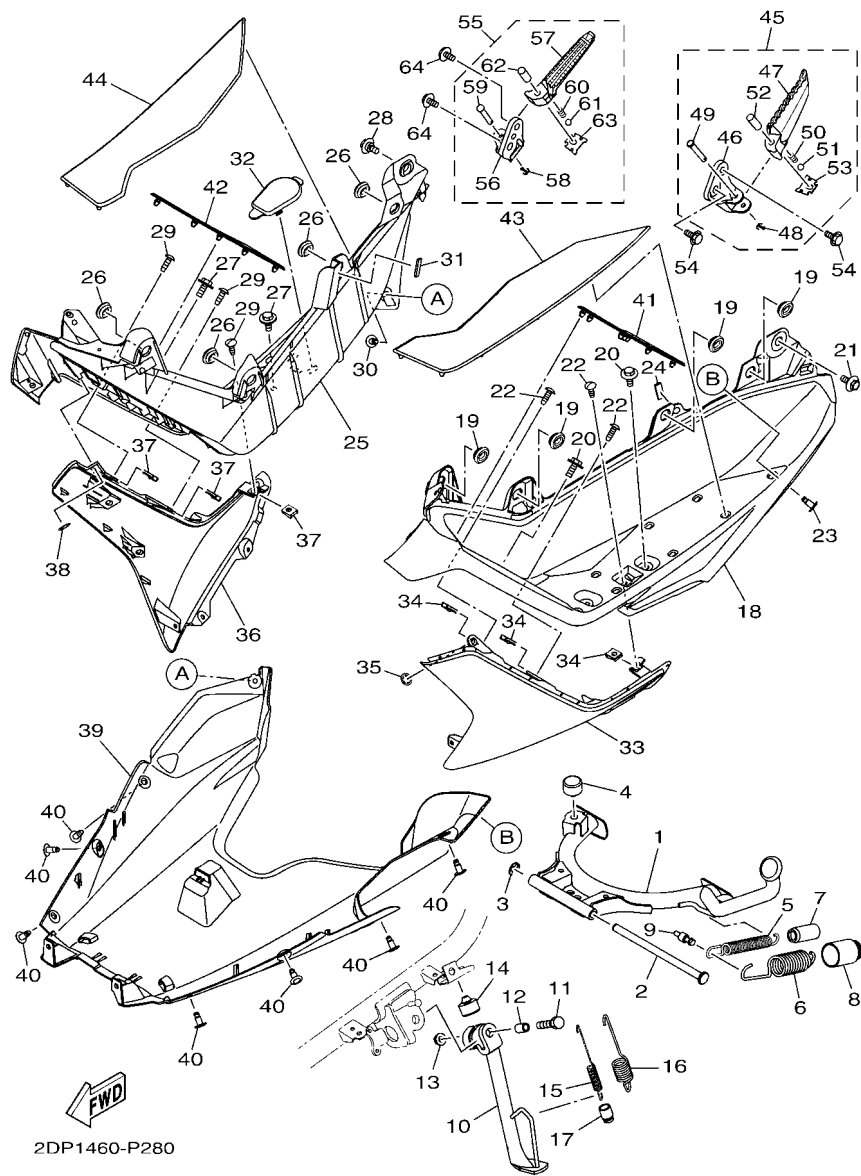


FIG. 28 STAND & FOOTREST

REF. NO.	PART NO.	DESCRIPTION	BC12	REMARKS
1	2DP-F7111-00	STAND, MAIN	1	
2	2DP-F7112-00	SHAFT, MAIN STAND	1	
3	99002-08600	CIRCLIP	1	
4	4YY-F7114-00	STOPPER, MAIN STAND	1	
5	90506-29803	SPRING, TENSION	1	
6	90506-35824	SPRING, TENSION	1	
7	2DP-F247C-00	HOSE 3	1	
8	2DP-F247A-00	HOSE 1	1	
9	2DP-F7254-00	HOOK	1	
10	2DP-F7311-00	STAND, SIDE	1	
11	90101-08847	BOLT	1	
12	90387-08820	COLLAR	1	
13	95602-08200	NUT, U FLANGE	1	
14	4YY-F7114-00	STOPPER, MAIN STAND	1	
15	90506-16805	SPRING, TENSION	1	
16	90506-26810	SPRING, TENSION	1	
17	2DP-F247D-00	HOSE 4	1	
18	2DP-F7481-00	BOARD, FOOTREST	1	
19	90480-01559	GROMMET	4	
20	90119-06051	BOLT, WITH WASHER	2	
21	90109-06220	BOLT	1	
22	97702-50016	SCREW, TAPPING	3	
23	90269-06816	RIVET	1	
24	5LM-F8371-00	DAMPER	1	
25	2DP-F7488-00	BOARD, FOOTREST 2	1	
26	90480-01559	GROMMET	4	
27	90119-06051	BOLT, WITH WASHER	2	

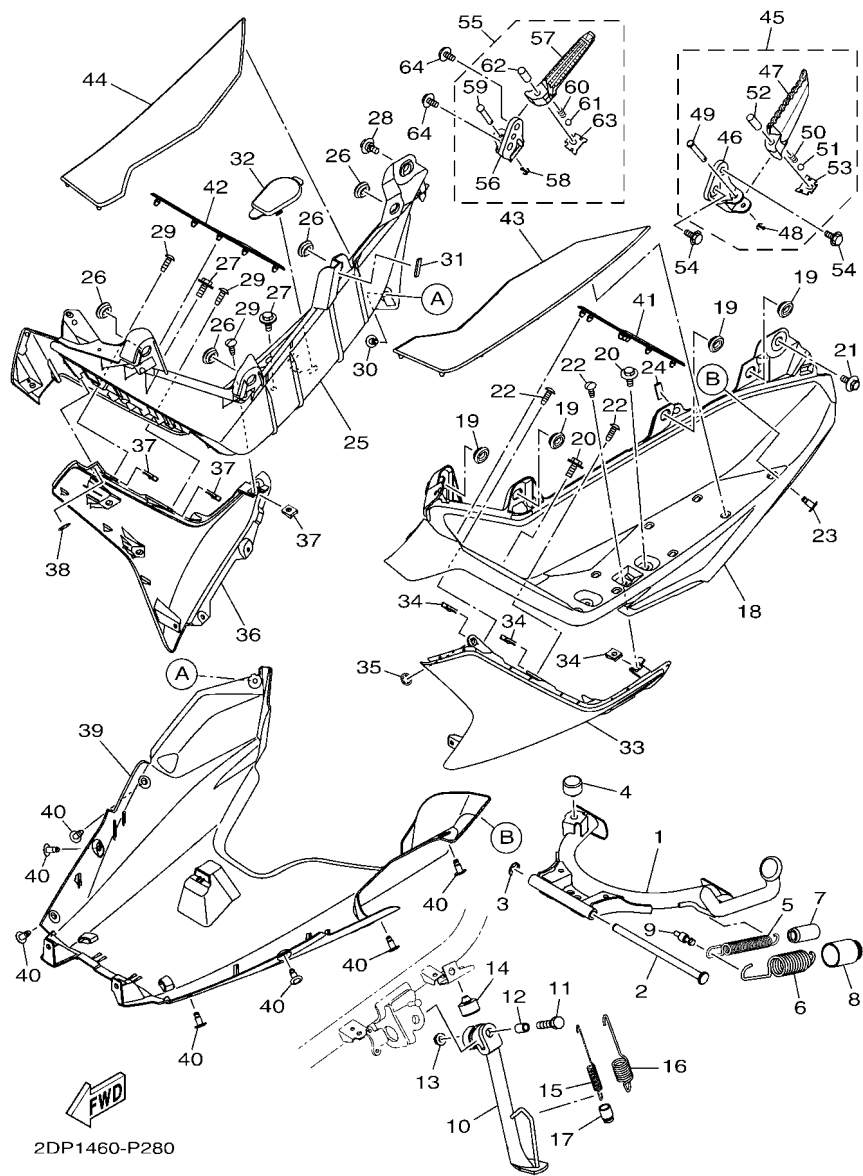


FIG. 28 STAND & FOOTREST

REF. NO.	PART NO.	DESCRIPTION	BC12	REMARKS
28	90109-06220	BOLT	1	
29	97702-50016	SCREW, TAPPING	3	
30	90269-06816	RIVET	1	
31	5LM-F8371-00	DAMPER	1	
32	2DP-F172W-00	COVER	1	
33	BC1-F171L-00-P4	MOLE, SIDE COVER 1	1	UR FOR VPBC5
	BC1-F171L-00-P5	MOLE, SIDE COVER 1	1	UR FOR MBL2
34	90183-05807	NUT, SPRING	3	
35	90183-06815	NUT, SPRING	1	
36	BC1-F171M-00-P4	MOLE, SIDE COVER 2	1	UR FOR VPBC5
	BC1-F171M-00-P5	MOLE, SIDE COVER 2	1	UR FOR MBL2
37	90183-05807	NUT, SPRING	3	
38	90183-06815	NUT, SPRING	1	
39	2DP-F8385-00	COVER, UNDER	1	
40	90269-06816	RIVET	7	
41	2DP-F7483-00	MAT 1	1	
42	2DP-F7484-00	MAT 2	1	
43	2DP-F7493-00	MAT 3	1	
44	2DP-F7494-00	MAT 4	1	
45	2DP-F7430-01	REAR FOOTREST ASSY 1	1	
46	2DP-F741L-01	.BRACKET 4	1	
47	2DP-F7431-01	.FOOTREST, REAR 1	1	
48	91402-20012	.PIN, COTTER	1	
49	91702-06038	.PIN, CLEVIS	1	
50	90501-12743	.SPRING, COMPRESSION	1	
51	93501-04830	.BALL	1	
52	90387-064H8	.COLLAR	1	

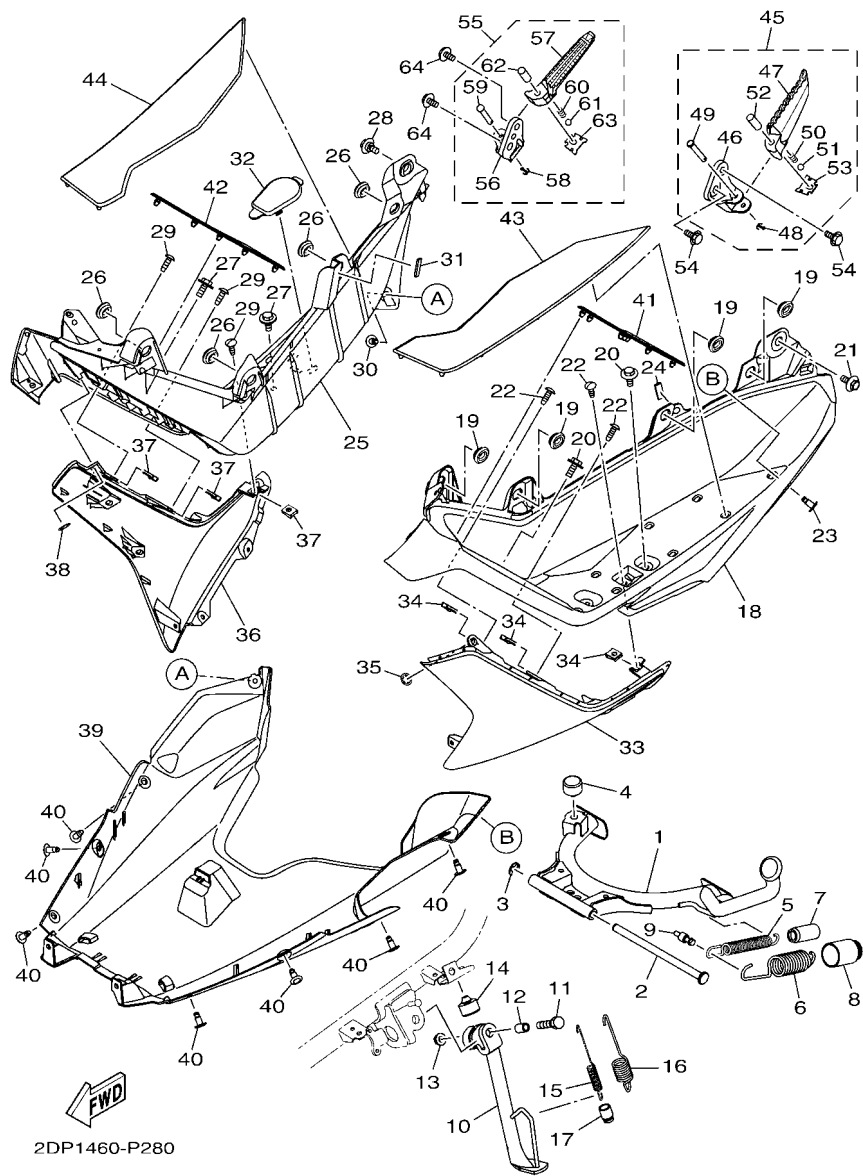
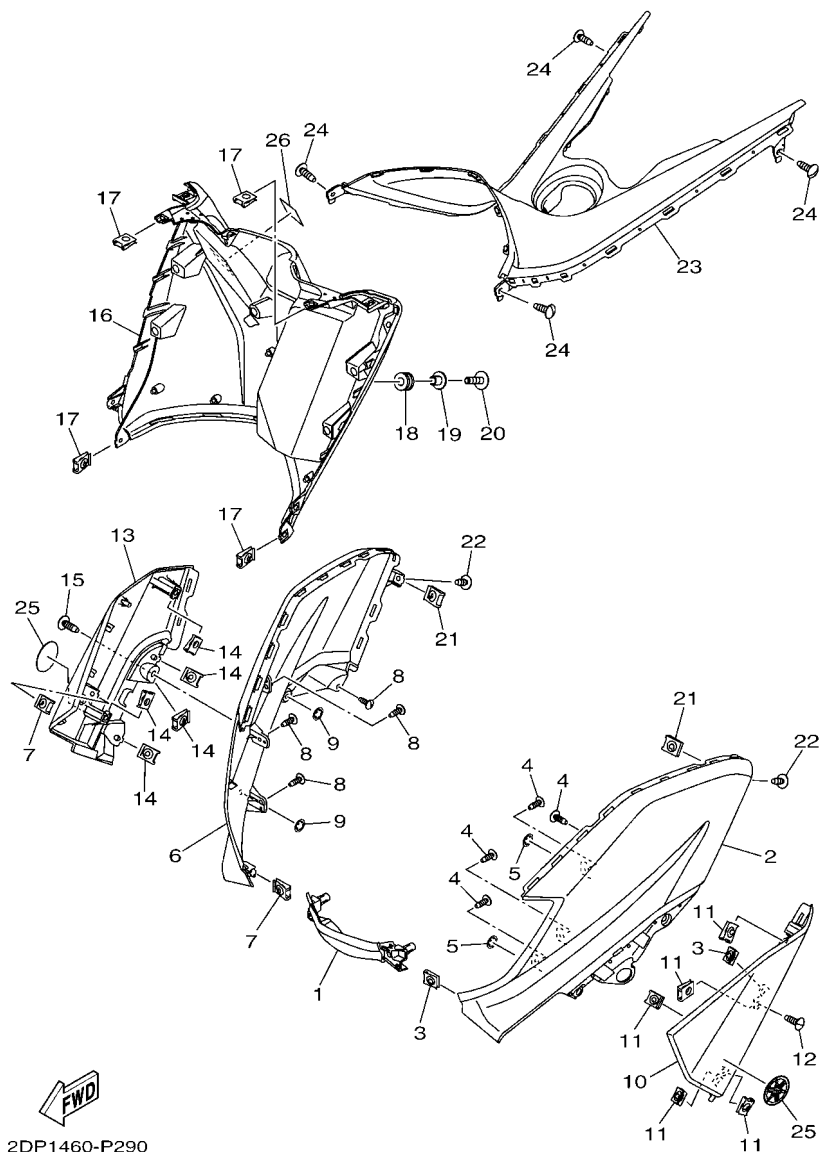


FIG. 28 STAND & FOOTREST

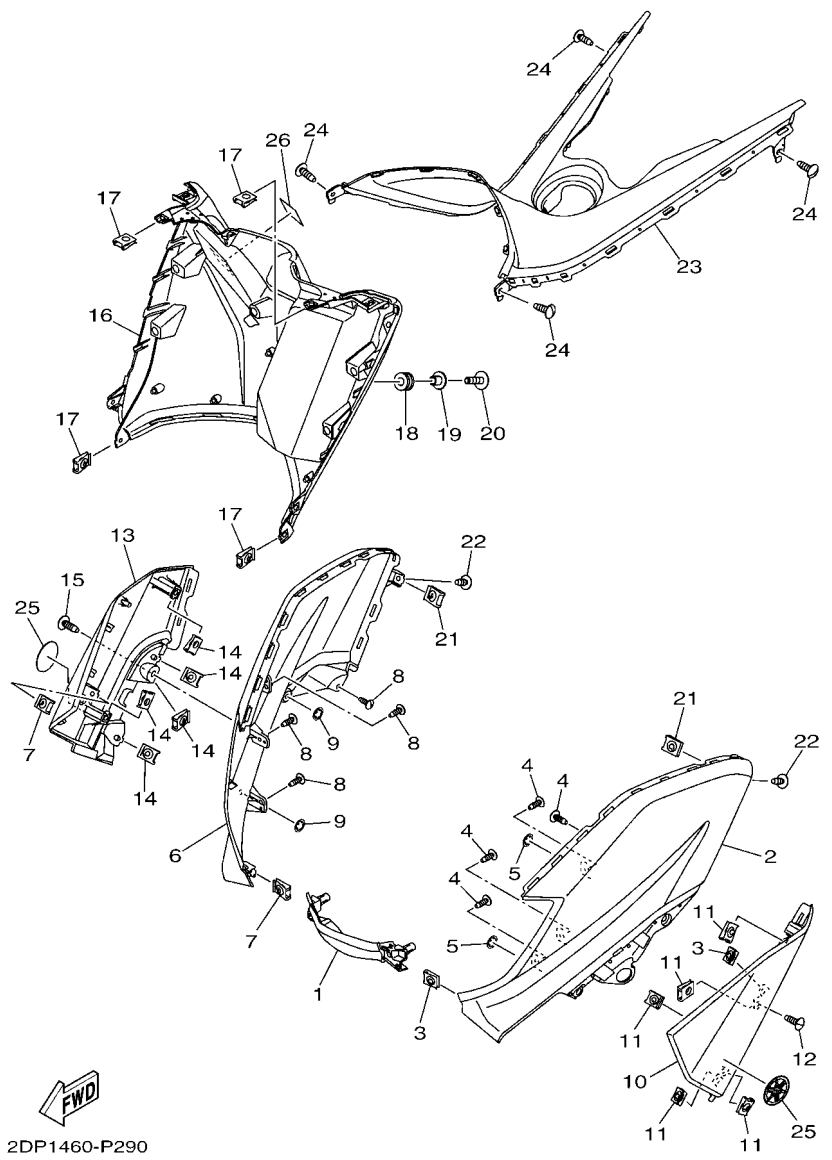
REF. NO.	PART NO.	DESCRIPTION	BC12				REMARKS
53	2DP-F7437-01	.WASHER, SPECIAL	1				
54	95812-08020	BOLT, FLANGE	2				
55	2DP-F7440-01	REAR FOOTREST ASSY 2	1				
56	2DP-F742L-01	.BRACKET 5	1				
57	2DP-F7441-01	.FOOTREST, REAR 2	1				
58	91402-20012	.PIN, COTTER	1				
59	91702-06038	.PIN, CLEVIS	1				
60	90501-12743	.SPRING, COMPRESSION	1				
61	93501-04830	.BALL	1				
62	90387-064H8	.COLLAR	1				
63	2DP-F7437-01	.WASHER, SPECIAL	1				
64	95812-08020	BOLT, FLANGE	2				



2DP1460-P290

FIG. 29 LEG SHIELD

REF. NO.	PART NO.	DESCRIPTION	BC12	REMARKS
1	BC1-F286F-00-P4	COVER, FRONT 2	1	UR FOR VPBC5
	BC1-F286F-00-P5	COVER, FRONT 2	1	UR FOR MBL2
2	BC1-F8351-00-P4	BODY, COWLING	1	UR FOR VPBC5
	BC1-F8351-00-P5	BODY, COWLING	1	UR FOR MBL2
3	90183-05807	NUT, SPRING	2	
4	97702-50016	SCREW, TAPPING	4	
5	90183-06815	NUT, SPRING	2	
6	BC1-F8377-00-P4	BODY, COWLING 2	1	UR FOR VPBC5
	BC1-F8377-00-P5	BODY, COWLING 2	1	UR FOR MBL2
7	90183-05807	NUT, SPRING	2	
8	97702-50016	SCREW, TAPPING	4	
9	90183-06815	NUT, SPRING	2	
10	BC1-F835U-00-P1	PANEL 1	1	UR MNM3 FOR VPBC5
	BC1-F835U-00-P2	PANEL 1	1	UR SMX FOR MBL2
11	90183-05807	NUT, SPRING	5	
12	97702-50016	SCREW, TAPPING	1	
13	BC1-F835V-00-P1	PANEL 2	1	UR MNM3 FOR VPBC5
	BC1-F835V-00-P2	PANEL 2	1	UR SMX FOR MBL2
14	90183-05807	NUT, SPRING	5	
15	97702-50016	SCREW, TAPPING	1	
16	2DP-F8300-00	LEG SHIELD ASSY	1	
17	90183-05807	NUT, SPRING	4	
18	90480-12808	GROMMET	1	
19	90387-06899	COLLAR	1	
20	90111-06854	BOLT, HEX. SOCKET BUTTON	1	
21	90183-05807	NUT, SPRING	2	
22	90160-05808	SCREW, ROUND TAPPING	2	



2DP1460-P290

FIG. 29 LEG SHIELD

REF. NO.	PART NO.	DESCRIPTION	BC12				REMARKS
23	2DP-F842M-00	COVER 1	1				
24	97702-50016	SCREW, TAPPING	4				
25	2DP-F413B-00	EMBLEM	2				
26	BC1-F1568-00	LABEL, WARNING	1				

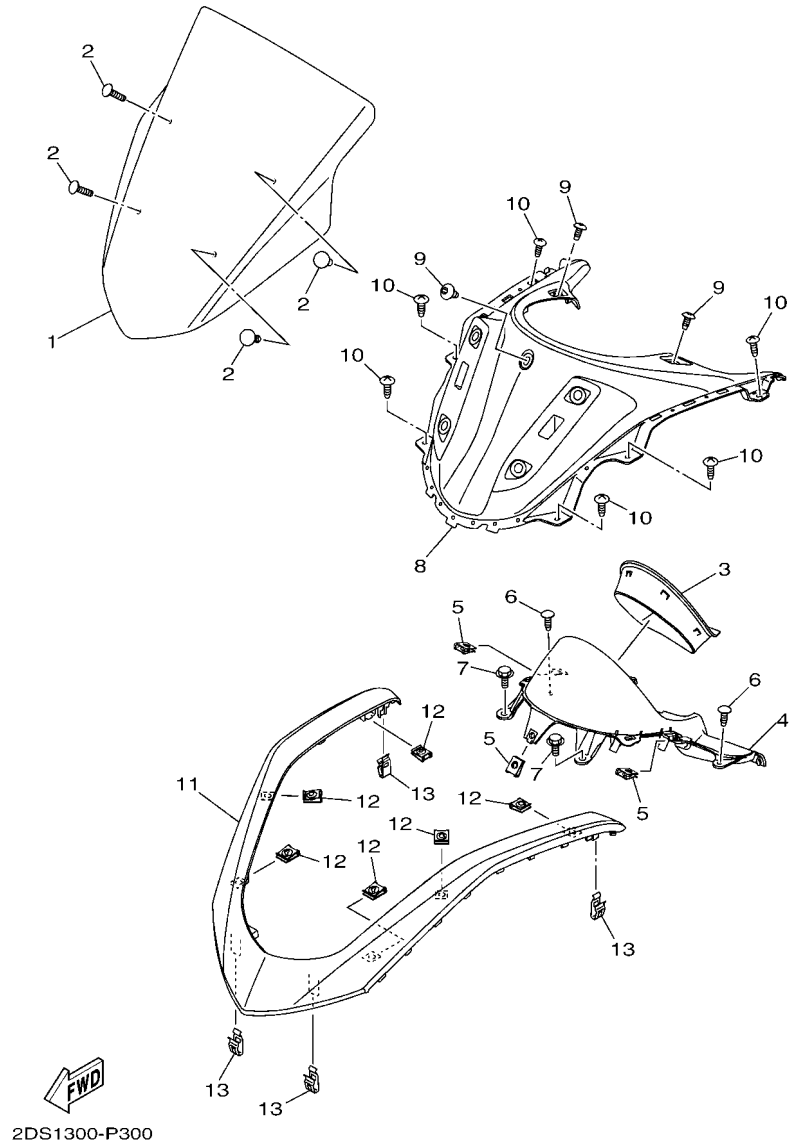
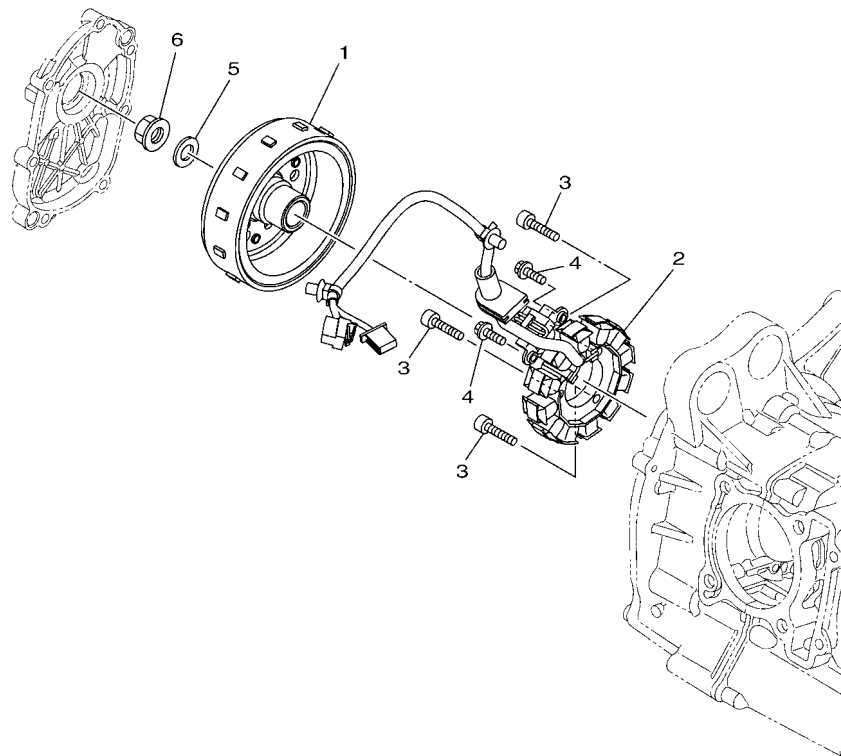


FIG. 30 WINDSHIELD

REF. NO.	PART NO.	DESCRIPTION	BC12	REMARKS
1	2DS-F61AA-00	VISOR	1	
2	90150-05008	SCREW, ROUND HEAD	4	
3	BC1-H3559-00-P1	COVER, METER	1	MNM3
4	2DP-F837L-00	PANEL, CONSOLE 1	1	
5	90183-05807	NUT, SPRING	3	
6	97702-50016	SCREW, TAPPING	2	
7	90119-06051	BOLT, WITH WASHER	2	
8	2DP-F837M-00	PANEL, CONSOLE 2	1	
9	90160-05808	SCREW, ROUND TAPPING	3	
10	97702-50016	SCREW, TAPPING	6	
11	BC1-F2865-00-P4	COVER, FRONT	1	UR FOR VPBC5
	BC1-F2865-00-P5	COVER, FRONT	1	UR FOR MBL2
12	90183-05807	NUT, SPRING	6	
13	44D-F8379-00	HOOK	4	

FIG. 31 GENERATOR

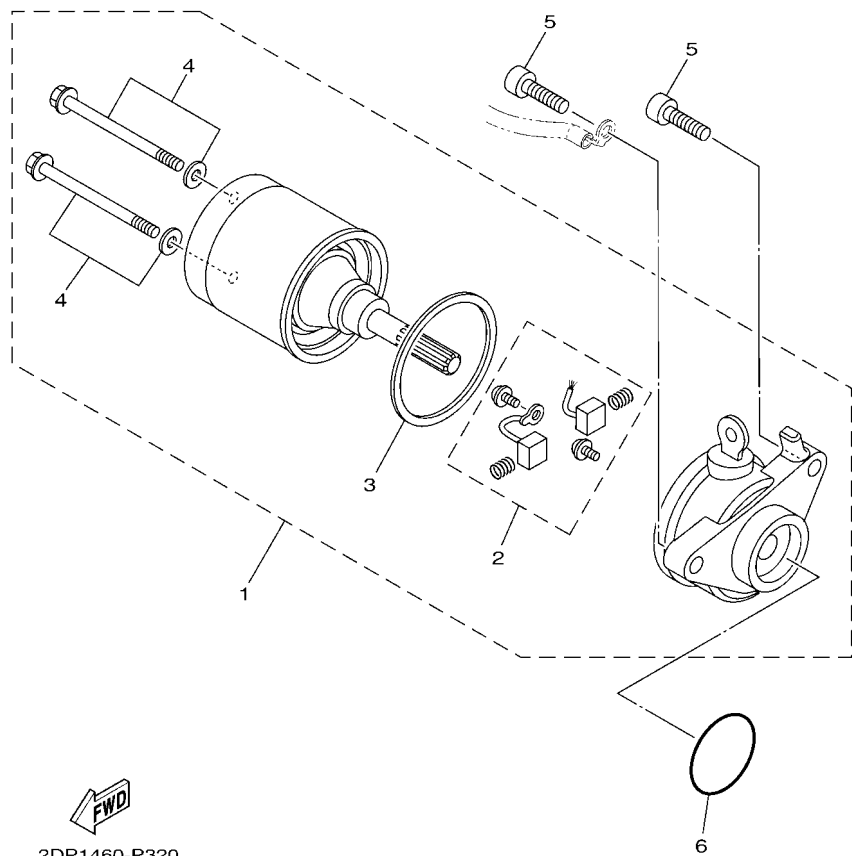


REF. NO.	PART NO.	DESCRIPTION	BC12				REMARKS
1	2DP-H1450-00	ROTOR ASSY	1				
2	2DP-H1410-00	STATOR ASSY	1				
3	90110-06178	BOLT, HEXAGON SOCKET HEAD	3				
4	95027-06016	BOLT, FLANGE	2				
5	90201-12688	WASHER, PLATE	1				
6	90179-12004	NUT	1				


 2DP1460-P310

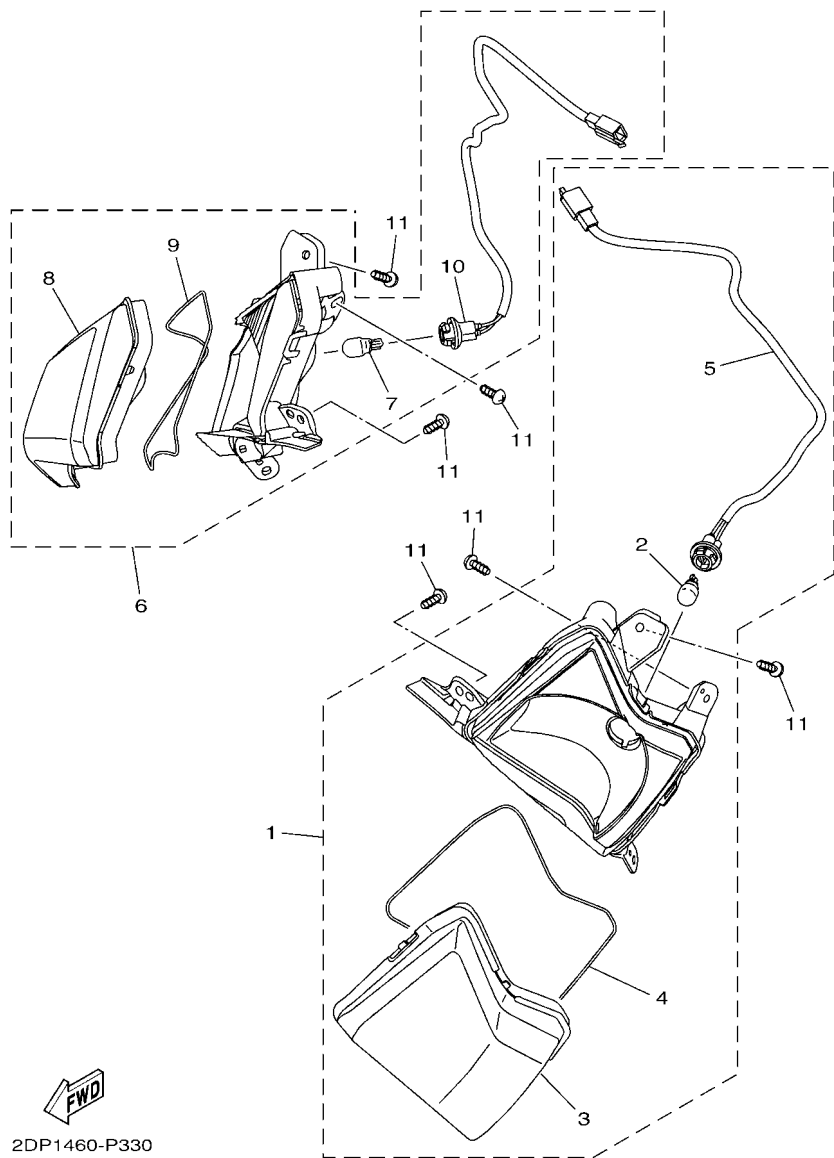
FIG. 32 STARTING MOTOR

REF. NO.	PART NO.	DESCRIPTION	BC12				REMARKS
1	54P-H1890-02	MOTOR ASSY	1				
2	5TP-H1801-00	.BRUSH SET	1				
3	5D9-H1861-00	.GASKET	1				
4	5D9-H1828-00	.SCREW SET	2				
5	91312-06020	BOLT, HEXAGON SOCKET HEAD	2				
6	93210-29803	O-RING	1				



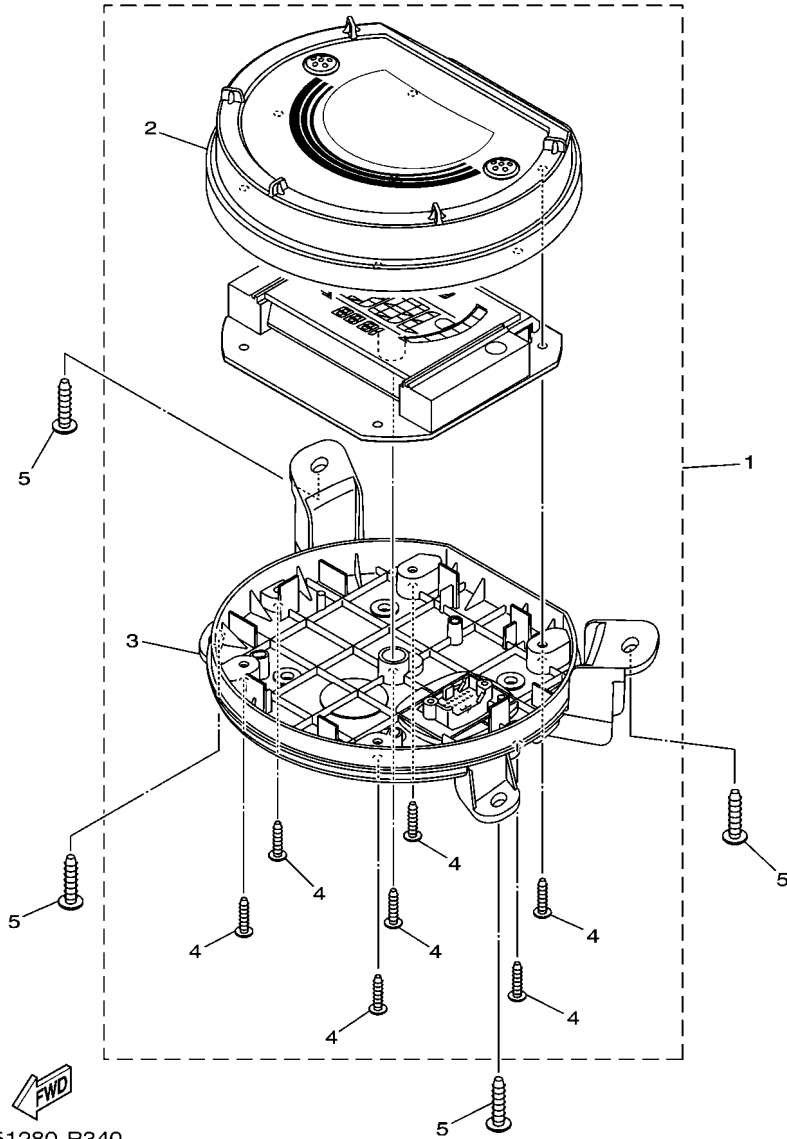
2DP1460-P320

FIG. 33 FLASHER LIGHT 1



FWD
2DP1460-P330

REF. NO.	PART NO.	DESCRIPTION	BC12				REMARKS
1	2DP-H3310-00	FRONT FLASHER LIGHT ASSY 1	1				
2	2CB-H3311-00	.BULB, FLASHER (12V-10W)	1				
3	2DP-H3312-00	.LENS, FLASHER	1				
4	2DP-H4723-00	.GASKET, TAIL LENS	1				
5	2DP-H4140-00	.SOCKET CORD ASSY	1				
6	2DP-H3320-00	FRONT FLASHER LIGHT ASSY 2	1				
7	2CB-H3311-00	.BULB, FLASHER (12V-10W)	1				
8	2DP-H3322-00	.LENS, FLASHER 2	1				
9	2DP-H4723-00	.GASKET, TAIL LENS	1				
10	2DP-H4150-00	.SOCKET CORD ASSY 2	1				
11	97702-50016	SCREW, TAPPING	6				

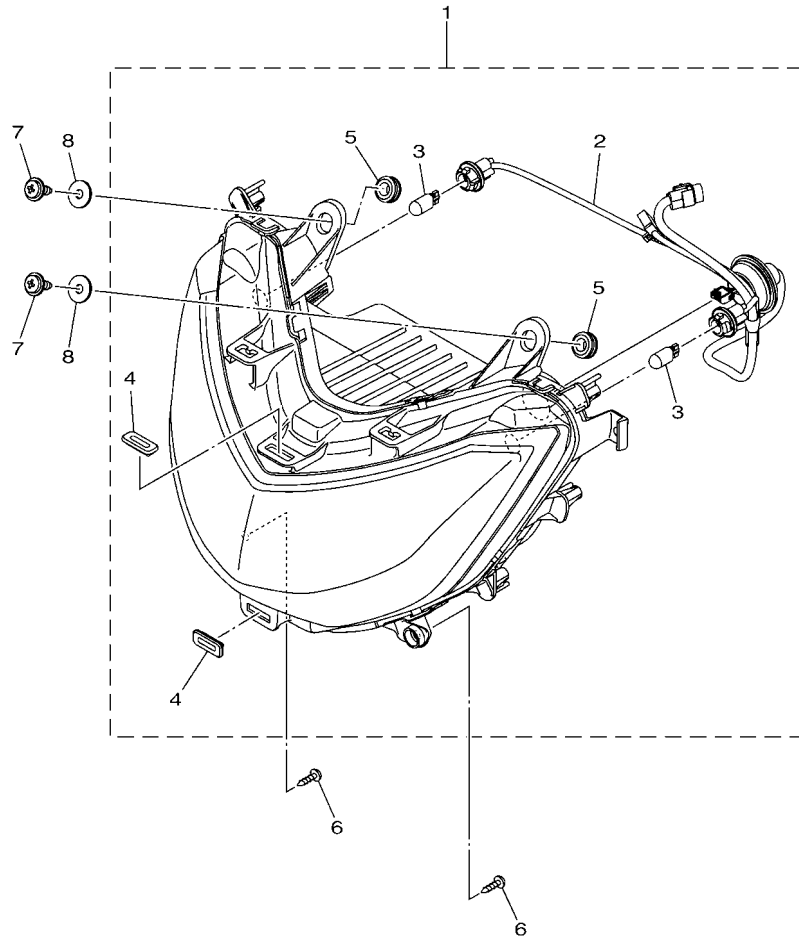


B551280-R340

FIG. 34 METER

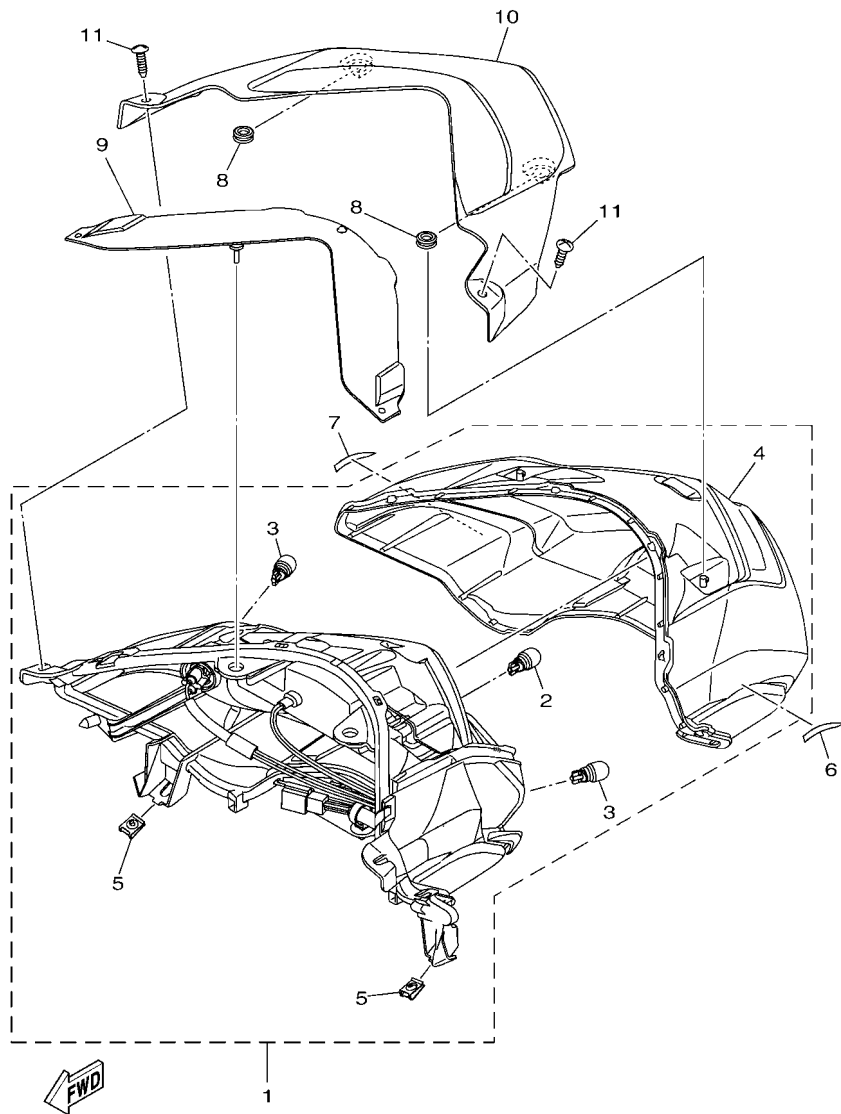
REF. NO.	PART NO.	DESCRIPTION	BC12				REMARKS
1	2DP-H3510-20	SPEEDOMETER ASSY	1				
2	2DP-H3571-20	.CASE, SPEEDOMETER UPPER	1				
3	2DP-H3572-00	.CASE, SPEEDOMETER LOWER	1				
4	97702-30016	.SCREW, TAPPING	7				
5	97702-50016	SCREW, TAPPING	4				

FIG. 35 HEADLIGHT



FWD
2DP1460-P350

REF. NO.	PART NO.	DESCRIPTION	BC12				REMARKS
1	2DP-H4300-00	HEADLIGHT ASSY	1				
2	2DP-H4340-00	.SOCKET CORD ASSY 1	1				
3	2DP-H4347-00	.BULB (12V-5W)	2				
4	50C-F6326-00	.GROMMET	2				
5	90480-13018	.GROMMET	2				
6	97702-50016	SCREW, TAPPING	2				
7	90159-06817	SCREW, WITH WASHER	2				
8	90201-06828	WASHER, PLATE	2				

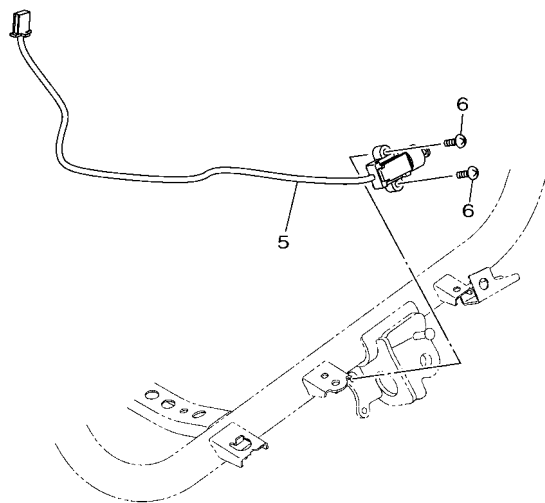
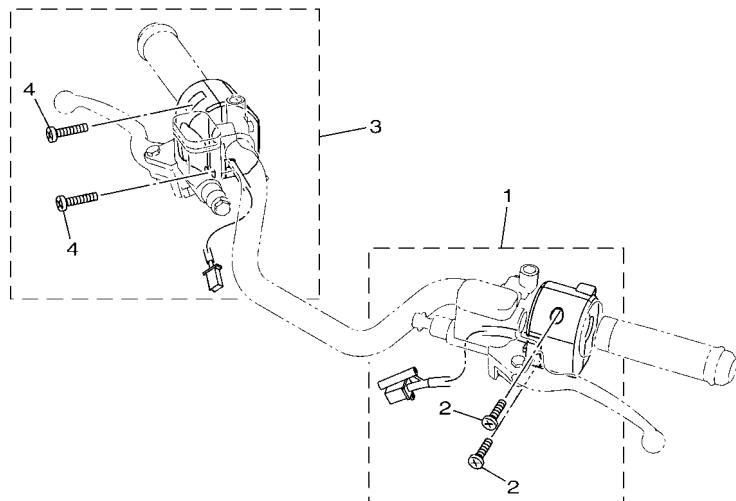


BC11440-R360

FIG. 36 TAILLIGHT

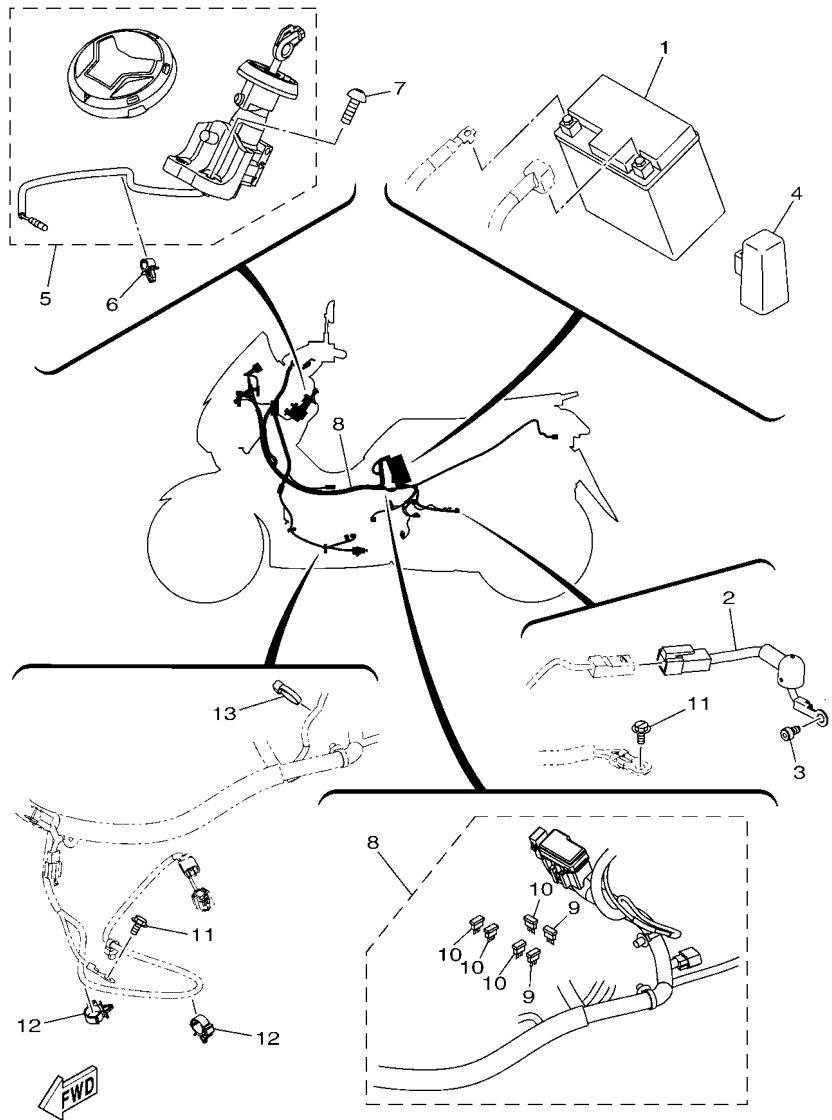
REF. NO.	PART NO.	DESCRIPTION	BC12				REMARKS
1	2DP-H4710-00	TAILLIGHT UNIT ASSY	1				
2	2DP-H4714-00	.BULB (12V-10W)	1				
3	2CB-H3311-00	.BULB, FLASHER (12V-10W)	2				
4	2DP-H4721-00	.LENS, TAILLIGHT	1				
5	90183-05807	.NUT, SPRING	2				
6	BC1-F1732-00	SEAL 1	1				
7	BC1-F1735-00	SEAL 2	1				
8	50C-H4759-00	GROMMET	2				
9	2DP-H4729-00	SPACER	1				
10	2DP-H4716-00	COVER, TAILLIGHT	1				
11	97707-50020	SCREW, TAPPING	2				

FIG. 37 HANDLE SWITCH & LEVER



2DP1460-P370

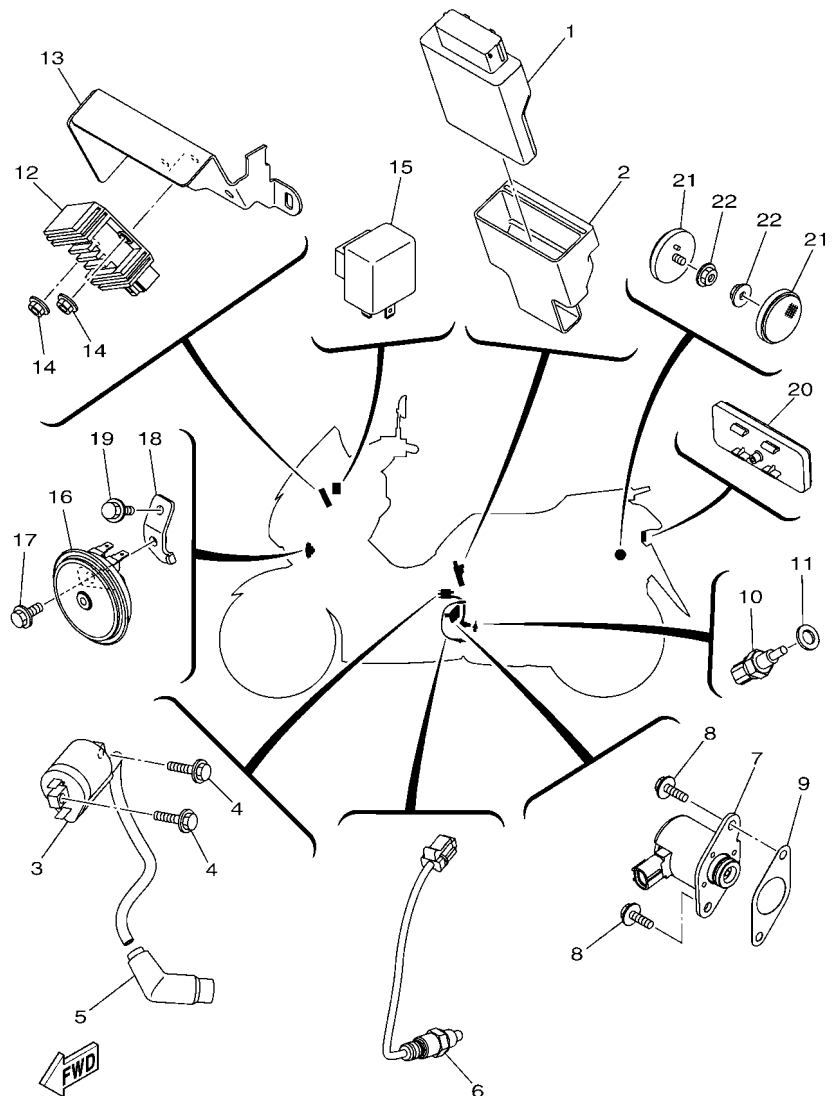
REF. NO.	PART NO.	DESCRIPTION	BC12					REMARKS
1	2DP-H3973-00	SWITCH, HANDLE 3	1					
2	98507-05030	.SCREW, PAN HEAD	2					
3	2DP-H3976-00	SWITCH, HANDLE 1	1					
4	98507-05025	.SCREW, PAN HEAD	2					
5	2DP-H2566-00	SWITCH, SIDE STAND	1					
6	90111-05810	BOLT,HEX. SOCKET BUTTON	2					



2DP2460-P380

FIG. 38 ELECTRICAL 1

REF. NO.	PART NO.	DESCRIPTION	BC12				REMARKS
1	BC1-H2100-00	BATTERY ASSY (YUASA YTZ7V)	1				
2	2DP-H2117-00	WIRE, LEAD	1				
3	91312-05008	BOLT, HEXAGON SOCKET HEAD	1				
4	5TP-H1940-00	STARTER RELAY ASSY	1				
5	2DP-XH252-00	MAIN SWITCH SUB ASSY.	1				
6	90464-07805	CLAMP	1				
7	90149-08058	SCREW	2				
8	2DP-H2590-10	WIRE HARNESS ASSY	1				
9	1WD-H2151-10	.FUSE (15A-BL)	2				
10	1WD-H2151-20	.FUSE (7.5A BL)	4				
11	95022-06012	BOLT, FLANGE	2				
12	90464-16006	CLAMP	2				
13	90464-13073	CLAMP	1				



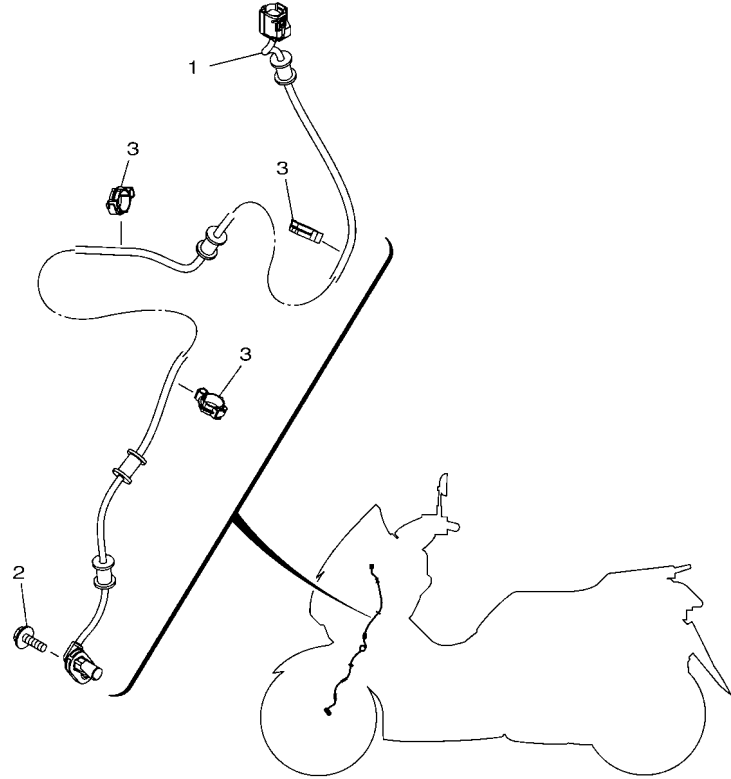
2DS1300-P390

FIG. 39 ELECTRICAL 2

REF. NO.	PART NO.	DESCRIPTION	BC12				REMARKS
1	2DP-H591A-10	ENGINE CONTROL UNIT ASSY	1				
2	2DP-H5546-00	BAND	1				
3	3C1-H2310-01	IGNITION COIL ASSY	1				
4	95022-06020	BOLT, FLANGE	2				
5	2DP-H2370-00	PLUG CAP ASSY	1				
6	2DP-H592A-00	SENSOR, OXYGEN	1				
7	2DP-H6110-00	SOLENOID	1				
8	95812-06016	BOLT, FLANGE	2				
9	2DP-H1861-00	GASKET	1				
10	54P-H3591-00	THERMO UNIT	1				
11	90430-10804	GASKET	1				
12	4B4-H1960-01	RECTIFIER & REGULATOR ASSY	1				
13	2DP-H1975-00	PLATE, RECTIFIER FITTING	1				
14	95702-06500	NUT, FLANGE	2				
15	1PA-H3350-00	FLASHER RELAY ASSY	1				
16	2DP-H3371-00	HORN	1				
17	95802-06012	BOLT, FLANGE	1				
18	2DP-H332P-00	STAY, HORN	1				
19	95802-06012	BOLT, FLANGE	1				
20	55D-H5130-00	REAR REFLECTOR ASSY	1				
21	2FC-H5111-00	REFLECTOR, FRONT 1	2				
22	95707-05500	NUT, FLANGE	2				

FIG. 40 ELECTRICAL 3

REF. NO.	PART NO.	DESCRIPTION	BC12				REMARKS
1	2DP-85970-00	WHEEL SENSOR ASSY, FRONT	1				
2	95812-06016	BOLT, FLANGE	1				
3	90464-14803	CLAMP	3				



 2DP2460-P400

NUMERICAL INDEX

PART NO.	REF. NO.	PART NO.	REF. NO.	PART NO.	REF. NO.	PART NO.	REF. NO.	PART NO.	REF. NO.	PART NO.	REF. NO.
2DP-12113-00	3 - 4	1LB-E2228-00	4 - 12	2DP-E4449-00	8 - 28	2DP-E7421-00	14 - 3	BV4-F173E-40	17 - 29	2DP-F3173-00	19 - 27
52S-12439-00	6 - 2	2DP-E2231-00	4 - 8	2DP-E4451-00	8 - 23	2DP-E7465-00	13 - 11	BC1-F1741-00-P1	17 - 18	278-F3181-50	19 - 13
3YG-23114-00	19 - 15	2DP-E2233-00	4 - 9	2DP-E4451-00	8 - 24	2DP-E7465-10	13 - 12	BC1-F1741-00-P2	17 - 18		19 - 29
	19 - 31	2DP-E2241-00	4 - 11	2DP-E4453-00	8 - 22	2DP-E7611-00	13 - 6	BC1-F1748-00	15 - 10	2DP-F3317-00	19 - 51
2K5-23152-00	19 - 9	2DP-E2279-00	3 - 13	2DP-E4613-00	9 - 5	2DP-E7620-00	13 - 1	2DP-F1816-00	17 - 25	2DP-F3340-00	19 - 34
	19 - 25	2DP-E2280-01	4 - 4	2DP-E4711-00	9 - 1	2DP-E7623-00	13 - 3	2DP-F1817-00	17 - 26	5YW-F3346-10	19 - 37
5VC-23462-00	19 - 35	2DP-E2288-00	4 - 5	2DP-E4718-00	9 - 2	2DP-E7632-00	13 - 2	2DP-F1871-00	17 - 21	54P-F3411-00	19 - 40
2DP-85970-00	40 - 1	2DP-E240A-00	6 - 4	2DP-E5113-00	10 - 29	2DP-E7641-00	13 - 22	1S7-F1875-00	17 - 24	54P-F3412-00	19 - 39
2DP-E1102-00	1 - 1	2DP-E2410-00	6 - 1	2DP-E5150-00	10 - 1	2DP-E7645-00	13 - 29	2DP-F194U-00	15 - 18	1LB-F3415-00	19 - 43
2DP-E111F-00	3 - 19	2DP-E2422-00	5 - 1	2DP-E5316-00	11 - 13	2DP-E7653-00	13 - 4	2DP-F2117-00	18 - 5	3AY-F3416-00	19 - 42
2DP-E1133-10	1 - 2	2DP-E2428-00	5 - 3	2DP-E5326-00	11 - 14	2DP-E7660-00	13 - 9	2DP-F2141-00	15 - 5	1PA-F3418-00	19 - 46
2DP-E1165-00	1 - 8	2DP-E2450-00	5 - 5	2DP-E5335-00	11 - 15	2DP-E7664-00	13 - 13	2DP-F2171-00	18 - 1	5TL-F341E-10	19 - 41
2DP-E1166-00	8 - 38	2DP-E2467-00	6 - 21	2DP-E5337-00	11 - 16	2DP-E7668-00	13 - 17	2DP-F2210-00	18 - 14	2DP-F3441-00	26 - 3
2DP-E1169-00	1 - 9	2DP-E2481-00	6 - 14	1S7-E5351-00	7 - 3	2DP-E7670-00	13 - 10	5MX-F2216-00	10 - 4	2DP-F3442-00	26 - 4
2DP-E1181-00	1 - 21	2DP-E2482-00	6 - 15	2DP-E5362-00	10 - 30	2DP-E7674-00	13 - 5		18 - 2	2DP-F3461-00	26 - 2
2DP-E1185-00	5 - 4	2DP-E2483-00	6 - 16	5LW-E5363-00	10 - 27	2DP-E7674-10	13 - 14	2DP-F247A-00	28 - 8	5BP-F3873-01	19 - 38
2DP-E1191-00	1 - 7	5P0-E2590-00	6 - 5	5LW-E5371-01	10 - 5	2DP-E7678-00	13 - 18	2DP-F247C-00	28 - 7	5BP-F3875-00	19 - 36
2DP-E1193-00	1 - 15	2DP-E2611-00	6 - 23		11 - 17	2DP-E7678-10	13 - 20	2DP-F247D-00	28 - 17	2DP-F4110-00	20 - 1
4YS-E1198-00	10 - 24	5ST-E2615-00	6 - 6	2DP-E5373-00	10 - 6	2DP-E7683-00	13 - 15	BC1-F2865-00-P4	30 - 11	2DP-F413B-00	29 - 25
2DP-E1311-10	1 - 25	2DP-E2621-00	6 - 17	2DP-E5407-00	11 - 9	2DP-E7684-00	13 - 16	BC1-F2865-00-P5	30 - 11	2DP-F414A-00	20 - 11
2DP-E132G-00	1 - 13	5ST-E2843-00	6 - 7	2DP-E5411-00	11 - 1	2DP-F1110-01	15 - 1	BC1-F286F-00-P4	29 - 1	2DP-F414G-00	15 - 2
2DP-E1351-00	1 - 26	2DP-E3300-00	7 - 1	2DP-E5417-00	10 - 12	2DP-F1400-00	15 - 4	BC1-F286F-00-P5	29 - 1	5D9-F414G-00	20 - 2
2DP-E1391-00	1 - 18	1S7-E3411-00	7 - 4	2DP-E5421-00	10 - 32	BC1-F1511-00-P4	16 - 1	2DP-F3100-00	19 - 1	54P-F414G-10	20 - 8
2DP-E1392-00	1 - 19	2DP-E3356-00	8 - 11	2DP-E5423-00	10 - 17	BC1-F1511-00-P5	16 - 1	2DP-F3102-00	19 - 2	2DP-F419A-00	20 - 14
2DP-E1400-02	2 - 1	54P-E3575-00	8 - 37	2DP-E5431-00	11 - 6	2DP-F1552-00	16 - 3	2DP-F3103-00	19 - 18	2DP-F4217-00	20 - 12
B63-E1603-00	2 - 9	2DP-E3585-00	8 - 1	2DP-E5451-00	11 - 2	BC1-F1568-00	29 - 26	2DP-F3110-00	19 - 7	2DP-F4318-00	20 - 13
2DP-E1631-00	2 - 6	2DP-E3750-01	8 - 13	2DP-E5453-00	10 - 14	2DS-F1611-00	16 - 6		19 - 23	2DP-F4491-00	20 - 9
2DP-E1633-00	2 - 7	5LW-E3769-00	10 - 31	2DP-E5461-00	10 - 33	2DP-F1621-00	21 - 20	2DP-F3111-00	19 - 16	2DP-F470F-00	21 - 2
2DP-E1651-00	2 - 4	5D7-E3770-00	8 - 5	2DP-E5472-00	11 - 8	BC1-F1668-00	21 - 26		19 - 32	2DP-F4730-00	21 - 1
2DP-E1681-00	2 - 2	2DP-E3907-00	20 - 5	2DP-E5473-00	11 - 12	BC1-F1711-00-P4	17 - 1	2DP-F3126-00	19 - 3	2DP-F473R-00	21 - 7
2DP-E2111-00	3 - 1	54P-E3915-00	20 - 6	2DP-E5474-00	11 - 11	BC1-F1711-00-P5	17 - 1	2DP-F3136-00	19 - 19	5BP-F4741-00	21 - 3
2DP-E2114-00	3 - 5	54P-E3938-00	8 - 6	2DP-E5481-00	11 - 10	2DP-F171E-00	17 - 9	2DP-F3141-00	19 - 14	1S7-F4768-00	21 - 15
2DP-E2117-00	3 - 7	2DP-E3971-01	20 - 4	2DP-E5495-00	11 - 7	BC1-F171L-00-P4	28 - 33		19 - 30	2DP-F4772-09	21 - 4
5TL-E2118-00	3 - 6	54P-E4137-00	8 - 7	2DP-E5512-00	12 - 6	BC1-F171L-00-P5	28 - 33	3HB-F3144-00	19 - 6	2DP-F4773-00-P1	21 - 16
54P-E2119-00	3 - 3	54P-E4147-00	8 - 8	2DP-E5520-00	12 - 1	BC1-F171M-00-P4	28 - 36		19 - 22	2DP-F4773-00-P2	21 - 16
2DP-E2121-00	3 - 2	5CA-E4147-00	8 - 9	2DP-E5520-10	12 - 1	BC1-F171M-00-P5	28 - 36	3HB-F3145-00	19 - 4	40D-F4780-01	21 - 13
50C-E2126-00	3 - 8	54P-E416A-00	8 - 17	44D-E5521-00	12 - 7	2DP-F171X-00	17 - 12		19 - 20	2DP-F478E-00	21 - 11
2DP-E2150-00	3 - 9	54P-E4243-00	8 - 15	2DP-E5570-00	12 - 4	BC1-F1721-00-P4	17 - 5	2DP-F3153-00	19 - 17	2DP-F5168-01-33	22 - 1
45P-E2156-00	3 - 17	54P-E4335-00	8 - 16	2DP-E5598-00	12 - 5	BC1-F1721-00-P5	17 - 5		19 - 33	2DP-F5168-01-P0	22 - 1
5YP-E2157-00	4 - 6	2DP-E4411-00	8 - 19	2DP-E5744-00	13 - 19	2DP-F172W-00	28 - 32	3V3-F3156-00	19 - 5	2DP-F517G-00	22 - 5
33S-E2159-01	3 - 10	2DP-E4412-00	8 - 20	2DP-E6111-00	14 - 9	BC1-F1731-00-P1	17 - 15		19 - 21	2DP-F5181-00	22 - 10
	3 - 15	2DP-E4417-00	8 - 32	2DP-E6611-00	13 - 21	BC1-F1731-00-P2	17 - 15	2DP-F3157-00	19 - 10	2DP-F5338-01-33	24 - 1
2DP-E2160-00	3 - 14	2DP-E4419-00	8 - 33	2DP-E6620-00	13 - 7	BC1-F1732-00	36 - 6		19 - 26	2DP-F5338-01-P0	24 - 1
2DP-E2170-00	4 - 1	2DP-E4435-00	8 - 29	2DP-E6626-00	13 - 8	BC1-F1735-00	36 - 7	2BU-F3158-00	19 - 12	2DP-F5377-00	18 - 9
2PV-E2210-00	4 - 13	2DP-E4437-00	8 - 21	2DP-E7211-00	14 - 4	40D-F1737-00	26 - 29		19 - 28	2DP-F5522-00	27 - 37
2DP-E2213-00	4 - 14	4ST-E443E-00	11 - 18	2DP-E7410-01	14 - 1	B92-F1737-00	26 - 30	2DP-F3170-00	19 - 8	2BM-F5802-00	23 - 4
B63-E2223-00	5 - 2	5TL-E443E-00	8 - 26	2DP-E7410-10	14 - 1	2DP-F173B-00	17 - 28		19 - 24	5P0-F5802-00	25 - 4
BB8-E2226-00	3 - 12	5TP-E443G-00	8 - 30	2DP-E7412-00	13 - 23	BV4-F173E-00	17 - 29	2DP-F3173-00	19 - 11	5YP-F5803-50	23 - 5

NUMERICAL INDEX

PART NO.	REF. NO.	PART NO.	REF. NO.	PART NO.	REF. NO.	PART NO.	REF. NO.	PART NO.	REF. NO.	PART NO.	REF. NO.
5YP-F5803-50	25 - 5	2DS-F61AA-00	30 - 1	5LM-F8371-00	28 - 31	2DP-H3980-00	27 - 12	90119-06051	30 - 7	90201-08859	1 - 17
2DP-F5805-00	23 - 9	BC1-F6219-00-P1	26 - 23	BC1-F8377-00-P4	29 - 6	2DP-H4140-00	33 - 5	90119-06856	20 - 3	90201-10065	18 - 16
3C1-F5805-10	25 - 9	1S7-F622F-00	26 - 13	BC1-F8377-00-P4	29 - 6	2DP-H4150-00	33 - 10	90149-05029	22 - 6	90201-10118	27 - 16
2DP-F5807-00	27 - 2	1WD-F622H-00	26 - 11	44D-F8379-00	30 - 13	2DP-H4300-00	35 - 1	90149-05801	1 - 10		27 - 33
2DP-F5807-10	27 - 19	2DP-F6240-00	26 - 8	2DP-F837L-00	30 - 4	2DP-H4340-00	35 - 2	90149-08058	38 - 7	90201-10831	22 - 12
2DP-F580U-10	23 - 3	2DP-F6241-00	26 - 9	2DP-F837M-00	30 - 8	2DP-H4347-00	35 - 3	90149-10804	23 - 15	90201-120A5	13 - 26
2DP-F580W-10	25 - 3	1WD-F6246-00	26 - 10	2DP-F8385-00	28 - 39	2DP-H4710-00	36 - 1	90150-05008	30 - 2	90201-12688	31 - 5
2DP-F581K-00	27 - 14	1S7-F6257-00	26 - 14	2DP-F842M-00	29 - 23	2DP-H4714-00	36 - 2	90159-05032	26 - 27	90202-26142	19 - 45
2DP-F582J-00	27 - 31	2DP-F6279-00	26 - 20	2DP-F842N-00	21 - 22	2DP-H4716-00	36 - 10	90159-06817	35 - 7	90208-12808	13 - 27
2DP-F582U-00	23 - 1	2CB-F6280-20	26 - 15	2DP-H1410-00	31 - 2	2DP-H4721-00	36 - 4	90160-05014	26 - 28	90269-06816	16 - 5
2DP-F582W-00	25 - 1	2CB-F6290-20	26 - 16	2DP-H1450-00	31 - 1	2DP-H4723-00	33 - 4	90160-05808	29 - 22		16 - 10
2DP-F583T-10	27 - 1	2DP-F6301-00	26 - 17	5TP-H1801-00	32 - 2		33 - 9		30 - 9		17 - 3
2DP-F583V-10	27 - 18	50C-F6326-00	35 - 4	5D9-H1828-00	32 - 4	2DP-H4729-00	36 - 9	90160-05810	17 - 16		17 - 7
5HV-F5852-00	27 - 3	1S9-F6332-00	27 - 11	2DP-H1861-00	39 - 9	50C-H4759-00	36 - 8		17 - 19		21 - 21
	27 - 20		27 - 28	5D9-H1861-00	32 - 3	2FC-H5111-00	39 - 21	90170-05803	3 - 11		26 - 26
5HV-F5854-10	27 - 5	2DP-F7111-00	28 - 1	54P-H1890-02	32 - 1	55D-H5130-00	39 - 20		3 - 16		28 - 23
	27 - 22	2DP-F7112-00	28 - 2	5TP-H1940-00	38 - 4	2DP-H5546-00	39 - 2	90170-12800	13 - 28		28 - 30
5HV-F585B-10	27 - 4	2DP-F7114-00	15 - 9	4B4-H1960-01	39 - 12	2DP-H5752-00	20 - 7	90170-12802	13 - 24		28 - 40
	27 - 21	4YY-F7114-00	28 - 4	2DP-H1975-00	39 - 13	2DP-H5801-00	8 - 18	90179-05003	15 - 15	90280-03017	2 - 5
2DP-F5867-00	27 - 27		28 - 14	BC1-H2100-00	38 - 1	2DP-H591A-10	39 - 1	90179-12004	31 - 6	90340-12808	10 - 23
2DP-F5867-10	27 - 10	2DP-F7121-00	10 - 2	2DP-H2117-00	38 - 2	2DP-H592A-00	39 - 6	90179-25810	19 - 44	90340-12813	1 - 3
2DP-F5875-00	19 - 47	2DP-F7254-00	28 - 9	2DP-H2129-00	21 - 18	2DP-H6110-00	39 - 7	90183-05807	15 - 3	90387-064H8	28 - 52
2DP-F5876-00	19 - 49	2DP-F7311-00	28 - 10	1WD-H2151-10	38 - 9	4C9-W0048-00	23 - 8		17 - 2		28 - 62
2DP-F587A-00	18 - 7	2DP-F741L-01	28 - 46	1WD-H2151-20	38 - 10		25 - 8		17 - 6	90387-06899	29 - 19
2DP-F5886-00	15 - 20	2DP-F742L-01	28 - 56	3C1-H2310-01	39 - 3	2DP-XH252-00	38 - 5		21 - 8	90387-08820	28 - 12
	18 - 11	2DP-F7430-01	28 - 45	2DP-H2370-00	39 - 5	90101-08847	28 - 11		28 - 34	90387-08823	6 - 8
2DP-F5887-00	27 - 35	2DP-F7431-01	28 - 47	2DP-H2530-00	27 - 29	90105-088E8	18 - 15		28 - 37	90387-10277	22 - 9
2DP-F588F-00	15 - 16	2DP-F7437-01	28 - 53	2DP-H2566-00	37 - 5	90105-10283	15 - 7		29 - 3	90387-10839	22 - 2
2DP-F589F-00	27 - 8		28 - 63	2DP-H2590-10	38 - 8		15 - 11		29 - 7	90387-17807	18 - 8
	27 - 25	2DP-F7440-01	28 - 55	2DP-H3310-00	33 - 1	90105-10882	25 - 15		29 - 11	90388-10814	10 - 3
2R6-F5916-00	23 - 14	2DP-F7441-01	28 - 57	2CB-H3311-00	33 - 2	90105-10896	26 - 6		29 - 14	90401-10812	27 - 15
	25 - 14	2DP-F7481-00	28 - 18		33 - 7	90109-06220	16 - 7		29 - 17		27 - 32
2BM-F5917-00	23 - 6	2DP-F7483-00	28 - 41		36 - 3		17 - 22		29 - 21	90430-06014	1 - 5
5YP-F5917-00	25 - 6	2DP-F7484-00	28 - 42	2DP-H3312-00	33 - 3		21 - 10		30 - 5		1 - 28
2BM-F5919-00	23 - 11	2DP-F7488-00	28 - 25	2DP-H3320-00	33 - 6		28 - 21		30 - 12		5 - 9
5PO-F5919-00	25 - 11	2DP-F7493-00	28 - 43	2DP-H3322-00	33 - 8		28 - 28		36 - 5	90430-08119	10 - 26
2DP-F5920-00	23 - 13	2DP-F7494-00	28 - 44	2DP-H332P-00	39 - 18	90109-068A4	16 - 2	90183-06815	17 - 10	90430-10804	39 - 11
2DP-F5920-50	25 - 13	2DP-F814F-00	21 - 24	1PA-H3350-00	39 - 15	90109-08232	23 - 2		17 - 13	90450-48806	8 - 12
5YP-F5924-00	23 - 12	5LM-F8152-00	21 - 25	2DP-H3371-00	39 - 16		25 - 2		26 - 24	90464-07805	20 - 16
	25 - 12	2DP-F8300-00	29 - 16	2DP-H3510-20	34 - 1	90110-06178	31 - 3		28 - 35		27 - 17
5YP-F5925-01	23 - 10	BC1-F8351-00-P4	29 - 2	BC1-H3559-00-P1	30 - 3	90110-06182	4 - 10		28 - 38		27 - 38
	25 - 10	BC1-F8351-00-P5	29 - 2	2DP-H3571-20	34 - 2	90110-06378	1 - 24		29 - 5		38 - 6
5YP-F5937-00	23 - 7	2DP-F8356-00	15 - 13	2DP-H3572-00	34 - 3	90111-05810	37 - 6		29 - 9	90464-13073	38 - 13
	25 - 7	BC1-F835U-00-P1	29 - 10	54P-H3591-00	39 - 10	90111-05816	21 - 23	90185-10011	26 - 7	90464-14803	40 - 3
2DP-F6110-00	26 - 1	BC1-F835V-00-P2	29 - 10	2DP-H3912-00	27 - 24	90111-06807	9 - 3	90185-10012	22 - 11	90464-16006	18 - 13
2DP-F6143-00	26 - 22	BC1-F835V-00-P1	29 - 13	2DP-H3922-00	27 - 7	90111-06854	29 - 20	90185-16800	24 - 4		38 - 12
2DP-F6144-00	26 - 25	BC1-F835V-00-P2	29 - 13	2DP-H3973-00	37 - 1	90119-06051	28 - 20	90201-05036	16 - 9	90464-20181	27 - 34
4US-F6199-00	21 - 9	5LM-F8371-00	28 - 24	2DP-H3976-00	37 - 3		28 - 27	90201-06828	35 - 8	90467-08003	17 - 27

NUMERICAL INDEX

PART NO.	REF. NO.	PART NO.	REF. NO.	PART NO.	REF. NO.	PART NO.	REF. NO.	PART NO.	REF. NO.	PART NO.	REF. NO.
90467-10008	10 - 7	91810-14809	10 - 34	95022-06020	6 - 3	95812-08020	28 - 54				
90467-11106	11 - 19		11 - 3		6 - 22		28 - 64				
90467-11825	8 - 39	92017-05016	26 - 18		8 - 4	95812-08040	10 - 25				
	10 - 8	93102-08800	1 - 14		10 - 21	95812-08055	15 - 14				
90467-12052	8 - 40	93102-20815	14 - 11		39 - 4	95812-10045	9 - 7				
90467-12800	8 - 27	93102-22829	10 - 13	95022-06025	5 - 12	95812-10060	9 - 8				
	8 - 31	93102-30802	10 - 18		10 - 16		18 - 10				
90467-20804	8 - 34	93102-32807	14 - 8	95022-06030	1 - 11	95822-08025	21 - 17				
90467-20805	6 - 12	93106-20816	22 - 3		10 - 22	95827-06030	6 - 10				
	6 - 13	93106-28801	18 - 3	95022-06035	11 - 4	97527-05512	21 - 12				
90467-21801	6 - 11	93210-09806	4 - 2	95022-06050	11 - 5	97602-04312	27 - 13				
90480-01559	16 - 4	93210-14816	10 - 28	95022-06055	8 - 3		27 - 30				
	17 - 4	93210-16805	13 - 30	95022-06060	6 - 20	97702-30016	34 - 4				
	17 - 8	93210-19809	5 - 13		10 - 10	97702-50016	17 - 11				
	28 - 19	93210-29803	32 - 6	95022-06110	10 - 11		17 - 14				
	28 - 26	93210-32807	8 - 2	95022-08040	10 - 35		21 - 19				
90480-10332	9 - 4	93210-34802	7 - 6	95022-08055	26 - 5		28 - 22				
90480-12808	29 - 18	93210-39803	5 - 11	95027-06016	20 - 15		28 - 29				
90480-13018	35 - 5	93211-52800	10 - 19		31 - 4		29 - 4				
90480-13567	17 - 23	93306-000Y3	5 - 7	95027-06020	5 - 8		29 - 8				
90480-15810	6 - 9	93306-001X9	4 - 3	95302-08600	1 - 16		29 - 12				
90501-12743	28 - 50	93306-204XR	14 - 10	95302-10600	18 - 17		29 - 15				
	28 - 60	93306-255X2	14 - 7	95602-06100	27 - 9		29 - 24				
90501-18576	7 - 5	93306-300YL	22 - 4		27 - 26		30 - 6				
90506-16805	28 - 15	93306-301XT	14 - 12	95602-08200	28 - 13		30 - 10				
90506-26810	28 - 16	93306-302X2	14 - 2	95602-10200	15 - 6		33 - 11				
90506-29803	28 - 5	93306-303YP	14 - 6		15 - 8		34 - 5				
90506-35824	28 - 6	93306-303YR	18 - 4		15 - 12		35 - 6				
90520-10826	6 - 18	93306-804Y6	12 - 2	95612-08618	1 - 6	97707-50020	16 - 8				
90520-10827	6 - 19	93310-528YK	2 - 3	95702-06500	21 - 5		36 - 11				
90520-15809	8 - 36	93450-16115	2 - 8		39 - 14	97707-50025	8 - 25				
90520-20816	17 - 17	93450-32837	12 - 3	95702-08500	9 - 6	98502-05025	7 - 2				
	17 - 20	93501-04830	28 - 51	95707-05500	39 - 22	98502-06012	8 - 14				
91312-05008	38 - 3		28 - 61	95802-06012	15 - 17	98507-05025	37 - 4				
91312-05010	20 - 10	93900-00828	22 - 8		15 - 21	98507-05030	37 - 2				
91312-05016	3 - 18		24 - 3		18 - 12	98707-04012	27 - 6				
91312-06020	4 - 15	94111-13800	22 - 7		19 - 48		27 - 23				
	32 - 5	94113-13801	24 - 2		19 - 50	99002-08600	28 - 3				
91317-06020	26 - 12	94568-F9096	4 - 7		27 - 36	99009-10400	5 - 6				
91402-20012	28 - 48	94700-00415	1 - 20		39 - 17	99009-25400	14 - 5				
	28 - 58	95022-06010	1 - 4		39 - 19	99009-35700	13 - 25				
91702-06038	28 - 49		1 - 27	95812-06014	21 - 6	99530-08012	1 - 12				
	28 - 59		26 - 19	95812-06016	6 - 24		5 - 10				
91810-14809	1 - 22	95022-06012	15 - 19		18 - 6						
	1 - 23		21 - 14		39 - 8						
	10 - 9		26 - 21		40 - 2						
	10 - 15		38 - 11	95812-06030	8 - 10						
	10 - 20	95022-06014	3 - 20		8 - 35						